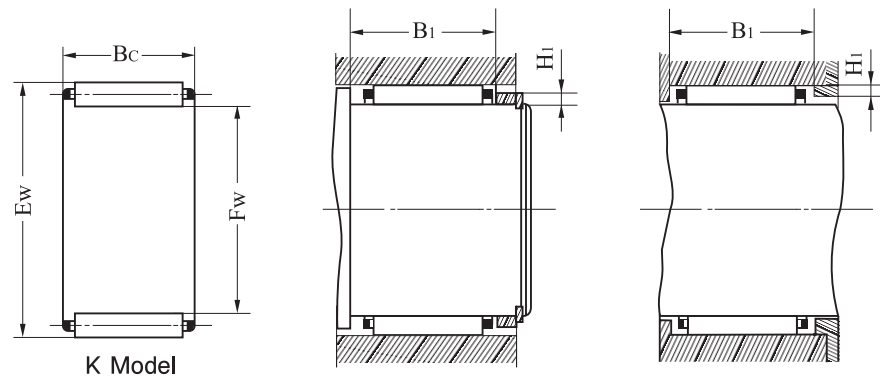
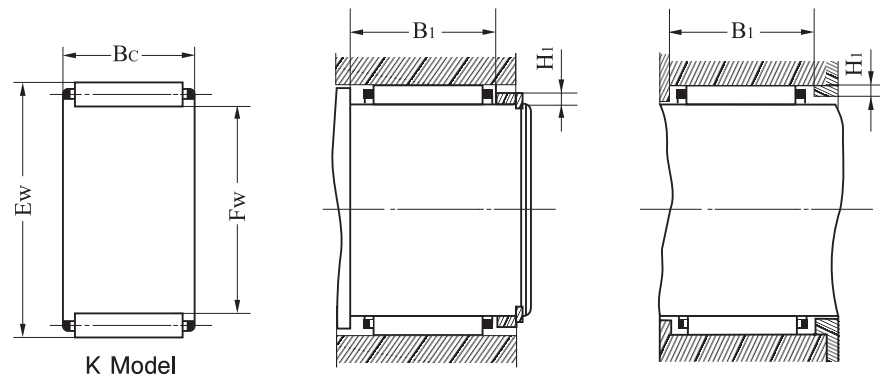


## Series K



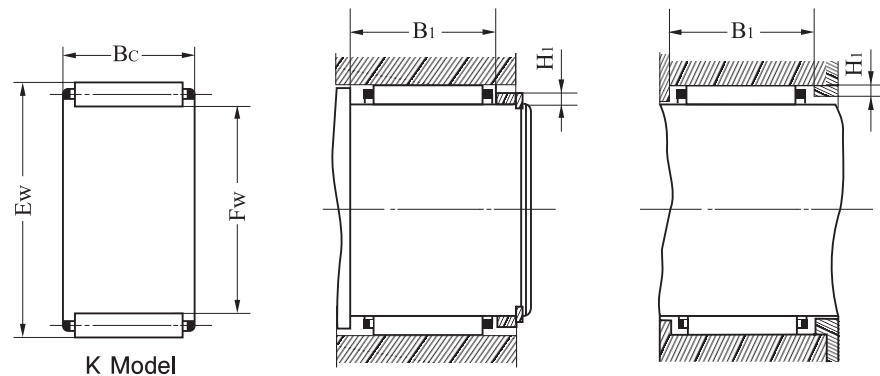
Boundary dimensions /mm			Basic load ratings /kN		Limiting speeds / (r/min)		Mass/g			
Fw	Ew	Bc	Cr	Cor	/(r/min)		W	K Model	B1	H1
					grease	oil				
<b>5</b> 0.1968	8	8	2.28	2.08	1800	28000	-	<b>K 5x8x8</b>	8.1	1
	8	10	2.98	2.88	1800	28000	0.1	<b>K 5x8x10</b>	10.1	1
	9	10	3.08	2.62	1800	28000	-	<b>K 5x9x10</b>	10.1	1.4
<b>6</b> 0.2362	9	8	2.52	2.42	1800	28000	1.4	<b>K 6x9x8</b>	8.1	1
	9	10	3.28	3.38	1800	28000	-	<b>K 6x9x10</b>	10.1	1
<b>7</b> 0.2755	10	8	2.75	2.78	1800	28000	-	<b>K 7x10x8</b>	8.1	1
	10	10	3.55	3.85	1800	28000	-	<b>K 7x10x10</b>	10.1	1
<b>8</b> 0.3149	11	10	3.80	4.35	1800	28000	1.8	<b>K 8x11x10</b>	10.1	1
	11	13	5.00	6.18	1800	28000	-	<b>K 8x11x13</b>	13.12	1
	12	10	4.02	4.82	1700	26000	-	<b>K 9x12x10</b>	10.1	1
<b>9</b> 0.3543	12	13	5.30	6.85	1700	26000	2.7	<b>K 9x10x13</b>	13.12	1
	13	8	3.45	4.10	1700	26000	-	<b>K 10x13x8</b>	8.1	1
<b>10</b> 0.3937	13	10	4.48	5.70	1700	26000	2.3	<b>K 10x13x10</b>	10.1	1
	13	13	5.88	8.12	1700	26000	3.0	<b>K 10x13x13</b>	13.12	1
	14	10	5.05	5.58	1700	26000	3.4	<b>K 10x14x10</b>	10.1	1.4
	14	13	6.70	7.98	1700	26000	4.4	<b>K 10x14x13</b>	13.12	1.4
	14	17	8.72	11.2	1700	26000	-	<b>K 10x14x17</b>	17.12	1.4
	15	8	3.75	4.78	1600	24000	-	<b>K 12x15x8</b>	8.1	1
	15	10	4.85	6.65	1600	24000	3.0	<b>K 12x15x10</b>	10.1	1
	15	13	6.40	9.48	1600	24000	3.6	<b>K 12x15x13</b>	13.12	1
<b>12</b> 0.4724	15	17	8.28	13.2	1600	24000	-	<b>K 12x15x17</b>	17.12	1
	16	10	5.68	6.78	1600	24000	-	<b>K 12x16x10</b>	10.1	1.4
	16	13	7.52	9.72	1600	24000	4.5	<b>K 12x16x13</b>	13.12	1.4
	16	17	9.82	13.5	1600	24000	-	<b>K 12x16x17</b>	17.12	1.4
	18	10	6.25	7.98	1500	22000	4.6	<b>K 14x18x10</b>	10.1	1.4
	18	13	8.28	11.5	1500	22000	6.3	<b>K 14x18x13</b>	13.12	1.4
<b>14</b> 0.5511	18	17	10.8	16.0	1500	22000	8.1	<b>K 14x18x17</b>	17.12	1.4
	19	10	6.05	6.62	1500	22000	-	<b>K 14x19x10</b>	10.1	1.7
	19	13	8.35	9.98	1500	22000	-	<b>K 14x19x13</b>	13.12	1.7
	19	17	11.2	14.5	1500	22000	-	<b>K 14x19x17</b>	17.12	1.7
	20	12	8.72	9.45	1500	22000	8.6	<b>K 14x20x12</b>	12.1	2

## Series K



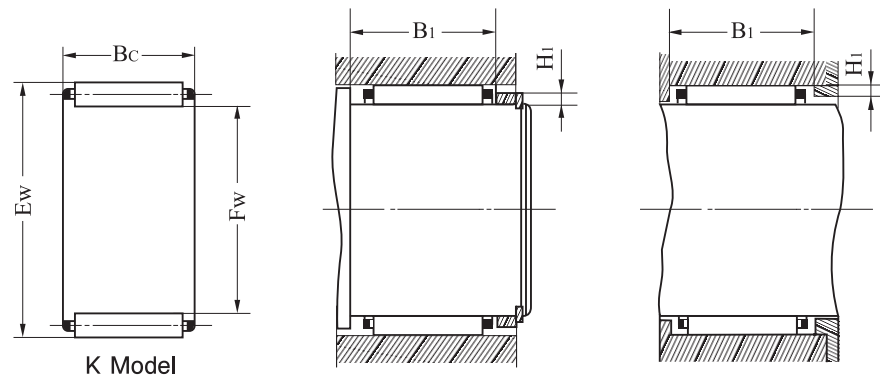
Boundary dimensions /mm			Basic load ratings /kN		Limiting speeds /(r/min)		Mass/g			
<i>F<sub>w</sub></i>	<i>E<sub>w</sub></i>	<i>B<sub>c</sub></i>	<i>C<sub>r</sub></i>	<i>C<sub>or</sub></i>	/(r/min)		<i>W</i>	<b>K Model</b>	<i>B<sub>1</sub></i>	<i>H<sub>1</sub></i>
					grease	oil	~			
<b>14</b> 0.5511	20	17	12.8	15.5	15000	22000	-	<b>K 14x20x17</b>	17.12	2
<b>15</b> 0.5904	19	10	6.52	8.58	14000	20000	-	<b>K 15x19x10</b>	10.1	1.4
	19	13	8.62	12.2	14000	20000	-	<b>K 15x19x13</b>	13.12	1.4
	19	17	11.2	11.2	14000	20000	8.8	<b>K 15x19x17</b>	17.12	1.4
	20	10	6.40	7.22	14000	20000	-	<b>K 15x20x10</b>	10.1	1.7
	20	13	8.82	10.8	14000	20000	8.9	<b>K 15x20x13</b>	13.12	1.7
	20	17	11.8	15.8	14000	20000	-	<b>K 15x20x17</b>	17.12	1.7
	21	17	12.8	15.8	14000	20000	-	<b>K 15x21x17</b>	17.12	2
<b>16</b> 0.6299	20	10	6.78	9.18	13000	19000	5.7	<b>K 16x20x10</b>	10.1	1.4
	20	13	8.98	13.2	13000	19000	7.1	<b>K 16x20x13</b>	13.12	1.4
	20	17	11.5	18.5	13000	19000	9.2	<b>K 16x20x17</b>	17.12	1.4
	22	12	9.25	10.5	13000	19000	-	<b>K 16x22x12</b>	12.1	2
	22	17	13.5	17.2	13000	19000	-	<b>K 16x22x17</b>	17.12	2
	22	20	16.0	21.2	13000	19000	-	<b>K 16x22x20</b>	20.14	2
<b>17</b> 0.6692	21	10	7.02	9.78	12000	18000	5.8	<b>K 17x21x10</b>	10.1	1.4
	21	13	9.28	14.0	12000	18000	7.5	<b>K 17x21x13</b>	13.12	1.4
	21	17	12.0	19.8	12000	18000	9.5	<b>K 17x21x17</b>	17.12	1.4
	23	17	14.5	18.8	12000	18000	-	<b>K 17x23x17</b>	17.12	2
	23	20	16.8	23.2	12000	18000	-	<b>K 17x23x20</b>	20.14	2
<b>18</b> 0.7086	22	10	7.25	10.2	11000	17000	6.1	<b>K 18x22x10</b>	10.1	1.4
	22	13	9.60	14.8	11000	17000	7.7	<b>K 18x22x13</b>	13.12	1.4
	22	17	12.50	21.0	11000	17000	11	<b>K 18x22x17</b>	17.12	1.4
	24	17	14.2	19.0	11000	17000	16	<b>K 18x24x17</b>	17.12	2
	24	20	16.8	23.5	11000	17000	19	<b>K 18x24x20</b>	20.14	2
	24	30	24.5	38.2	11000	17000	-	<b>K 18x24x30</b>	30.14	2
<b>20</b> 0.7874	24	10	7.42	11.0	10000	16000	7.0	<b>K 20x24x10</b>	10.1	1.4
	24	13	9.82	15.8	10000	16000	8.5	<b>K 20x24x13</b>	13.12	1.4
	24	17	12.8	22.2	10000	16000	11	<b>K 20x24x17</b>	17.12	1.4
	26	17	15.8	22.2	10000	16000	18	<b>K 20x26x17</b>	17.12	2
	26	20	18.5	27.5	10000	16000	20	<b>K 20x26x20</b>	20.14	2
<b>22</b> 0.8661	26	10	7.82	12.2	9500	15000	7.1	<b>K 22x26x10</b>	10.1	1.4
	26	13	10.5	17.5	9500	15000	9.4	<b>K 22x26x13</b>	13.12	1.4

## Series K



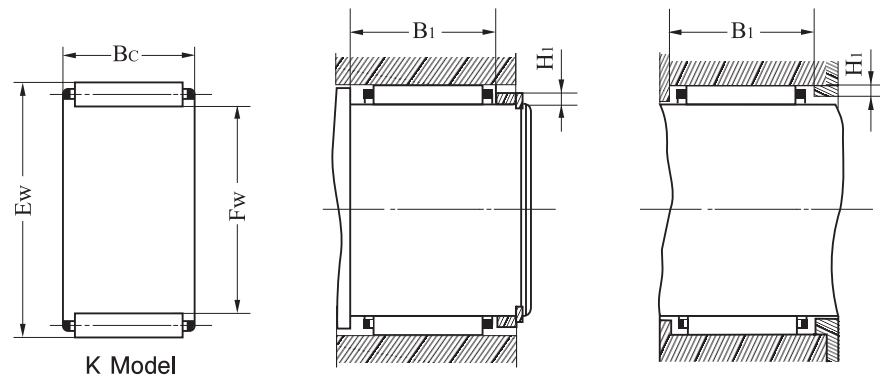
Boundary dimensions /mm			Basic load ratings /kN		Limiting speeds /(r/min)		Mass/g			
$F_w$	$E_w$	$B_c$	$C_r$	$C_{or}$	grease	oil	$W$	K Model	$B_1$	$H_1$
							~			
<b>22</b> 0.8661	26	17	13.5	24.8	9500	15000	12	<b>K 22x26x17</b>	17.12	1.4
	28	17	16.5	24.0	9500	15000	20	<b>K 22x28x17</b>	17.12	2
	28	20	19.2	29.5	9500	15000	-	<b>K 22x28x20</b>	20.14	2
<b>25</b> 0.9842	29	10	8.45	14.8	9000	14000	8.3	<b>K 25x29x10</b>	10.1	1.4
	29	13	11.2	20.2	9000	14000	10.5	<b>K 25x29x13</b>	13.12	1.4
	29	17	14.5	28.2	9000	14000	14	<b>K 25x29x17</b>	17.12	1.4
	31	17	17.8	27.5	9000	14000	22	<b>K 25x31x17</b>	17.12	2
	31	20	20.8	33.8	9000	14000	25	<b>K 25x31x20</b>	20.14	2
	32	16	16.0	21.8	9000	14000	25	<b>K 25x32x16</b>	16.12	2.3
<b>28</b> 1.1023	33	13	12.5	20.8	8500	13000	15	<b>K 28x33x13</b>	13.12	1.7
	33	17	16.8	30.0	8500	13000	20	<b>K 28x33x17</b>	17.12	1.7
	33	27	26.2	53.2	8500	13000	30	<b>K 28x33x27</b>	27.14	1.7
	34	17	18.8	30.8	8500	13000	-	<b>K 28x34x17</b>	17.12	2
<b>30</b> 1.1811	35	20	22.2	34.2	8500	13000	35	<b>K 28x35x20</b>	20.14	2.3
	35	13	12.8	21.5	8000	12000	16	<b>K 30x35x13</b>	13.12	1.7
	35	17	17.0	31.5	8000	12000	21	<b>K 30x35x17</b>	17.12	1.7
	35	27	26.8	55.8	8000	12000	33	<b>K 30x35x27</b>	27.14	1.7
	37	20	23.0	36.5	8000	12000	40	<b>K 30x37x20</b>	20.14	2.3
	38	20	25.8	38.8	8000	12000	-	<b>K 30x38x20</b>	20.14	2.7
<b>32</b> 1.2598	37	13	13.5	23.5	7500	11000	18	<b>K 32x37x13</b>	13.12	1.7
	37	17	18.0	34.2	7500	11000	22	<b>K 32x37x17</b>	17.12	1.7
	37	27	28.0	60.8	7500	11000	37	<b>K 32x37x27</b>	27.14	1.7
	39	20	23.8	38.8	7500	11000	42	<b>K 32x39x20</b>	20.14	2.3
	39	30	35.5	65.2	7500	11000	-	<b>K 32x39x30</b>	30.14	2.3
	40	13	14.0	35.5	7000	10000	19	<b>K 35x40x13</b>	13.12	1.7
<b>35</b> 1.3779	40	17	18.0	37.0	7000	10000	25	<b>K 35x40x17</b>	17.12	1.7
	40	27	29.2	65.8	7000	10000	39	<b>K 35x40x27</b>	27.14	1.7
	42	20	25.2	43.2	7000	10000	41	<b>K 35x42x20</b>	20.14	2.3
	42	30	37.8	72.5	7000	10000	62	<b>K 35x42x30</b>	30.14	2.3
	43	13	14.5	27.5	6700	9500	-	<b>K 38x43x13</b>	13.12	1.7
<b>38</b> 1.4960	43	17	19.5	39.8	6700	9500	-	<b>K 38x43x17</b>	17.12	1.7
	43	27	30.2	71.0	6700	9500	-	<b>K 38x43x27</b>	27.14	1.7

## Series K



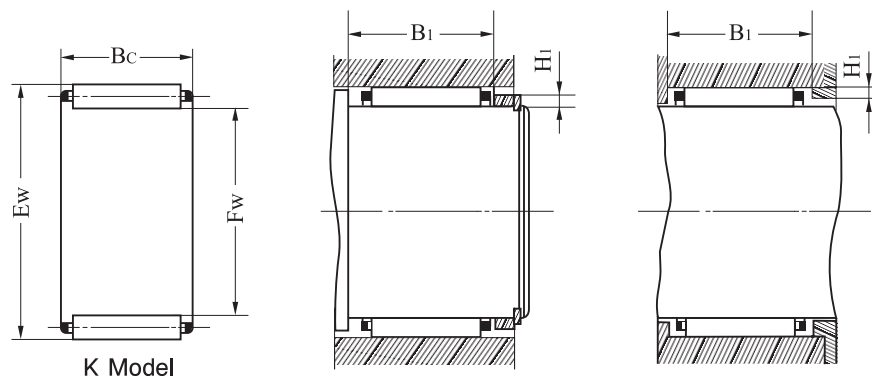
Boundary dimensions /mm			Basic load ratings /kN		Limiting speeds /(r/min)		Mass/g			
Fw	Ew	Bc	Cr	Cor	/(r/min)		W	K Model	B1	H1
					grease	oil				
<b>38</b> 1.496	46	20	29.5	49.2	6700	9500	46	<b>K 38x46x20</b>	20.14	2.7
	46	30	44.0	82.5	6700	9500	-	<b>K 38x46x30</b>	30.14	2.7
<b>40</b> 1.5748	45	13	15.0	29.5	6300	9000	22	<b>K 40x45x13</b>	13.12	1.7
	45	17	20.2	42.8	6300	9000	27	<b>K 40x45x17</b>	17.12	1.7
	45	27	31.5	75.8	6300	9000	44	<b>K 40x45x27</b>	27.14	1.7
	48	20	30.2	51.8	6300	9000	52	<b>K 40x48x20</b>	20.14	2.7
	48	25	37.0	69.2	6300	9000	-	<b>K 40x48x25</b>	25.14	2.7
<b>42</b> 1.6535	48	30	45.2	86.8	6300	9000	-	<b>K 40x48x30</b>	30.14	2.7
	47	13	15.2	30.5	6000	8500	22	<b>K 42x47x13</b>	13.12	1.7
	47	17	20.5	44.2	6000	8500	28	<b>K 42x47x17</b>	17.12	1.7
	47	27	31.8	78.5	6000	8500	47	<b>K 42x47x27</b>	27.14	1.7
	50	20	31.0	54.2	6000	8500	54	<b>K 42x50x20</b>	20.14	2.7
<b>45</b> 1.7716	50	30	46.5	91.2	6000	8500	-	<b>K 42x50x30</b>	30.14	2.7
	50	13	16.2	33.5	5600	8000	24	<b>K 45x50x13</b>	13.12	1.7
	50	17	21.5	48.5	5600	8000	31	<b>K 45x50x17</b>	17.12	1.7
	50	27	33.5	86.0	5600	8000	50	<b>K 45x50x27</b>	27.14	1.7
	53	20	31.8	57.0	5600	8000	62	<b>K 45x53x20</b>	20.14	2.7
<b>48</b> 1.8897	53	25	39.8	76.5	5600	8000	-	<b>K 45x53x25</b>	25.14	2.7
	53	30	47.5	95.8	5600	7500	82	<b>K 45x53x30</b>	30.14	2.7
	53	13	16.5	35.5	5300	7500	-	<b>K 48x53x13</b>	13.12	1.7
	53	17	22.2	51.2	5300	7500	32	<b>K 48x53x17</b>	17.12	1.7
	53	27	34.5	91.0	5300	7500	-	<b>K 48x53x27</b>	27.14	1.7
<b>50</b> 1.9685	56	20	33.2	62.0	5300	7500	-	<b>K 48x56x20</b>	20.14	2.7
	56	30	49.8	105	5300	7500	-	<b>K 48x56x30</b>	30.14	2.7
	55	13	16.8	36.5	5000	7000	-	<b>K 50x55x13</b>	13.12	1.7
	55	17	22.5	52.8	5000	7000	32	<b>K 50x55x17</b>	17.12	1.7
	55	20	26.2	65.0	5000	7000	39	<b>K 50x55x20</b>	20.14	1.7
<b>50</b> 1.9685	55	27	35.0	93.5	5000	7000	-	<b>K 50x55x27</b>	27.14	1.7
	57	16	23.8	44.5	5000	7000	50	<b>K 50x57x16</b>	16.12	2.3
	58	20	34.0	64.8	5000	7000	65	<b>K 50x58x20</b>	20.14	2.7
	58	25	42.8	88.8	5000	7000	-	<b>K 50x58x25</b>	25.14	2.7
	58	30	50.8	108	5000	7000	95	<b>K 50x58x30</b>	30.14	2.7

## Series K



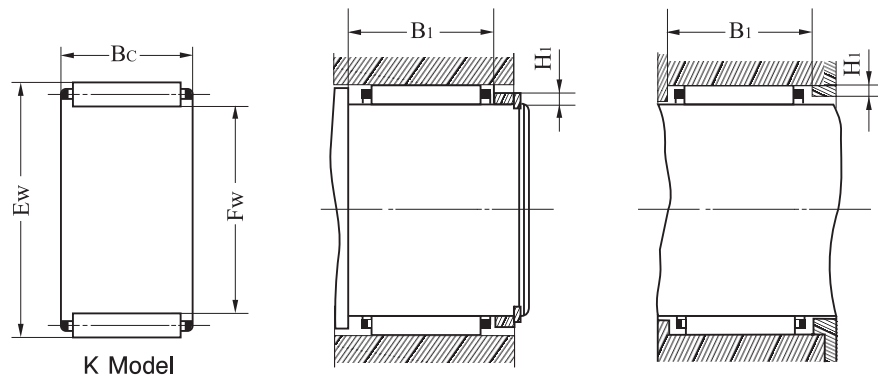
Boundary dimensions /mm			Basic load ratings /kN		Limiting speeds / (r/min)		Mass/g			
Fw	Ew	Bc	Cr	Cor	/(r/min)		W	K Model	B1	H1
					grease	oil				
<b>52</b> 2.0472	57	17	23.0	55.5	4800	6700	-	<b>K 52x57x17</b>	17.12	1.7
	57	20	27.2	68.5	4800	6700	-	<b>K 52x57x20</b>	20.14	1.7
	60	20	34.8	68.2	4800	6700	-	<b>K 52x60x20</b>	20.14	2.7
	60	30	52.0	112	4800	6700	-	<b>K 52x60x30</b>	30.14	2.7
<b>55</b> 2.1653	61	20	31.2	73.5	4800	6700	-	<b>K 55x61x20</b>	20.14	2
	61	30	45.8	120	4800	6700	-	<b>K 55x61x30</b>	30.14	2
	62	40	62.5	160	4800	6700	-	<b>K 55x62x40</b>	40.17	2.3
	63	20	35.2	69.8	4800	6700	73	<b>K 55x63x20</b>	20.14	2.7
	63	25	44.2	93.8	4800	6700	90	<b>K 55x63x25</b>	25.14	2.7
	63	30	52.8	118	4800	6700	110	<b>K 55x63x30</b>	30.14	2.7
<b>58</b> 2.2834	66	20	36.8	75.0	4500	6300	-	<b>K 58x66x20</b>	20.14	2.7
	66	30	55.0	125	4500	6300	-	<b>K 58x66x30</b>	30.14	2.7
<b>60</b> 2.3622	66	20	33.2	88.0	4300	6000	-	<b>K 60x66x20</b>	20.14	2
	66	30	48.5	132	4300	6000	-	<b>K 60x66x30</b>	30.14	2
	68	20	37.5	77.5	4300	6000	-	<b>K 60x68x20</b>	20.14	2.7
	68	25	47.0	105	4300	6000	-	<b>K 60x68x25</b>	25.14	2.7
<b>63</b> 2.4803	68	30	56.0	130	4300	6000	136	<b>K 60x68x30</b>	30.14	2.7
	71	20	38.0	80.2	4000	5600	80	<b>K 63x71x20</b>	20.14	2.7
	71	25	47.5	108	4000	5600	-	<b>K 63x71x25</b>	25.14	2.7
<b>65</b> 2.5590	71	30	56.8	135	4000	5600	-	<b>K 63x71x30</b>	30.14	2.7
	73	20	38.5	82.8	4000	5600	-	<b>K 65x73x20</b>	20.14	2.7
	73	25	48.5	112	4000	5600	-	<b>K 65x73x25</b>	25.14	2.7
<b>68</b> 2.6771	73	30	57.8	140	4000	5600	126	<b>K 65x73x30</b>	30.14	2.7
	74	20	35.2	92.5	3800	5300	65	<b>K 68x74x20</b>	20.14	2
	74	30	51.5	150	3800	5300	97	<b>K 68x74x30</b>	30.14	2
	76	20	39.8	88	3800	5300	-	<b>K 68x76x20</b>	20.14	2.7
<b>70</b> 2.7559	76	25	50.0	118	3800	5300	-	<b>K 68x76x25</b>	25.14	2.7
	76	30	59.8	148	3800	5300	-	<b>K 68x76x30</b>	30.14	2.7
	76	20	35.8	94.2	3800	5300	70	<b>K 70x76x20</b>	20.14	2
	76	30	52.2	155	3800	5300	100	<b>K 70x76x30</b>	30.14	2
	78	20	40.5	90.5	3800	5300	-	<b>K 70x78x20</b>	20.14	2.7

## Series K

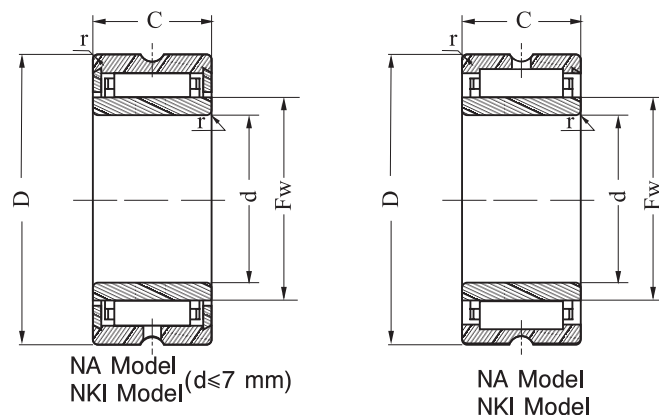


Boundary dimensions /mm			Basic load ratings /kN		Limiting speeds /(r/min)		Mass/g			
Fw	Ew	Bc	Cr	Cor	/(r/min)		W	K Model	B1	H1
					grease	oil				
<b>70</b> 2.7559	78	25	50.8	122	3800	5300	115	<b>K 70x78x25</b>	25.14	2.7
	78	30	60.5	152	3800	5300	136	<b>K 70x78x30</b>	30.14	2.7
<b>72</b> 2.8346	78	20	36.5	98.8	3600	5000	90	<b>K 72x78x20</b>	20.14	2
	78	30	53.5	160	3600	5000	-	<b>K 72x78x30</b>	30.14	2
	80	20	41.0	93.2	3600	5000	94	<b>K 72x80x20</b>	20.14	2.7
	80	25	51.5	125	3600	5000	-	<b>K 72x80x25</b>	25.14	2.7
<b>75</b> 2.9527	80	30	61.5	155	3600	5000	-	<b>K 72x80x30</b>	30.14	2.7
	81	20	37.5	102	3400	4800	75	<b>K 75x81x20</b>	20.14	2
	81	30	54.8	168	3400	4800	106	<b>K 75x81x30</b>	30.14	2
	83	20	72.5	98.2	3400	4800	100	<b>K 75x83x20</b>	20.14	2.7
	83	25	53.2	132	3400	4800	123	<b>K 75x83x25</b>	25.14	2.7
	83	30	63.5	165	3400	4800	147	<b>K 75x83x30</b>	30.14	2.7
<b>80</b> 3.1496	86	20	38.5	108	3200	4500	76	<b>K 80x86x20</b>	20.14	2
	86	30	56.2	178	3200	4500	110	<b>K 80x86x30</b>	30.14	2
	88	25	54.4	138	3200	4500	130	<b>K 80x88x25</b>	25.14	2.7
	88	30	65	175	3200	4500	141	<b>K 80x88x30</b>	30.14	2.7
	88	35	75	210	3200	4500	-	<b>K 80x88x35</b>	35.17	2.7
<b>85</b> 3.3464	92	20	40.5	105	3000	4300	96	<b>K 85x92x20</b>	20.14	2.3
	92	30	60.8	178	3000	4300	142	<b>K 85x92x30</b>	30.14	2.3
	93	20	45.0	112	3000	4300	130	<b>K 85x93x20</b>	20.14	2.7
	93	25	56.5	148	3000	4300	140	<b>K 85x93x25</b>	25.14	2.7
	93	30	67.5	185	3000	4300	160	<b>K 85x93x30</b>	30.14	2.7
	95	45	108	290	3000	4300	-	<b>K 85x95x45</b>	45.17	3.3
<b>90</b> 3.5433	97	20	41.8	112	2800	4000	103	<b>K 90x97x20</b>	20.14	2.3
	97	30	62.8	190	2800	4000	151	<b>K 90x97x30</b>	30.14	2.3
	98	25	57.8	156	2800	4000	140	<b>K 90x98x25</b>	20.14	2.7
	98	30	69.0	195	2800	4000	172	<b>K 90x98x30</b>	25.14	2.7
<b>95</b> 3.7401	102	20	43.2	120	2600	3800	110	<b>K 95x102x20</b>	20.14	2.3
	102	30	64.5	202	2600	3800	165	<b>K 95x102x30</b>	30.14	2.3
	103	30	71.5	208	2600	3800	165	<b>K 95x103x30</b>	30.14	2.7
<b>100</b> 3.9370	107	20	44.5	125	2400	3600	95	<b>K100x107x20</b>	20.14	2.3

## Series K



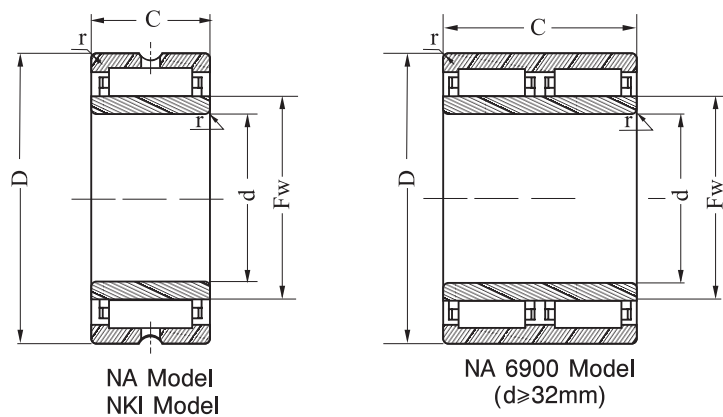
Boundary dimensions /mm			Basic load ratings /kN		Limiting speeds /(r/min)		Mass/g			
<i>F<sub>w</sub></i>	<i>E<sub>w</sub></i>	<i>B<sub>c</sub></i>	<i>C<sub>r</sub></i>	<i>C<sub>or</sub></i>	grease	oil	W	K Model	<i>B<sub>1</sub></i>	<i>H<sub>1</sub></i>
							~			
<b>100</b> 3.9370	107	30	66.5	212	2400	3600	170	<b>K100x107x30</b>	30.14	2.3
	108	30	72.8	218	2400	3600	190	<b>K100x109x30</b>	30.14	2.7
<b>105</b> 4.1338	112	20	45.2	132	2200	3400	115	<b>K105x112x20</b>	20.14	2.3
	112	30	67.5	220	2200	3400	170	<b>K105x112x30</b>	30.14	2.3
	115	30	81.8	218	2200	3400	205	<b>K105x115x30</b>	30.14	3.3
<b>110</b> 4.3307	117	25	58.2	185	2000	3200	150	<b>K110x117x25</b>	25.14	2.3
	117	35	80.2	278	2000	3200	211	<b>K110x117x35</b>	35.17	2.3
	120	30	85.0	228	2000	3200	-	<b>K110x120x30</b>	30.14	3.3
<b>115</b> 4.5275	122	25	59.8	195	2000	3200	-	<b>K115x122x25</b>	25.14	2.3
	122	35	82.2	292	2000	3200	-	<b>K115x122x35</b>	35.17	2.3
	125	35	99.5	290	2000	3200	-	<b>K115x125x35</b>	35.17	3.3
<b>120</b> 4.7244	127	25	61.2	202	1900	3000	168	<b>K120x127x25</b>	25.14	2.3
	127	35	84.2	305	1900	3000	243	<b>K120x127x35</b>	35.17	2.3
<b>125</b> 4.9212	135	35	105	315	1900	3000	360	<b>K125x135x35</b>	35.17	3.3
<b>130</b> 5.1181	137	25	63.2	218	1800	2800	180	<b>K130x137x25</b>	25.14	2.3
	137	35	87.2	328	1800	2800	250	<b>K130x137x35</b>	35.17	2.3
<b>145</b> 5.7086	153	30	88.5	315	1600	2400	262	<b>K145x153x30</b>	30.14	2.7
<b>155</b> 6.1023	163	30	91.5	338	1500	2200	304	<b>K155x163x30</b>	30.14	2.7
<b>165</b> 6.4960	173	30	108	432	1500	2200	322	<b>K165x173x35</b>	35.17	2.7
<b>175</b> 6.8897	183	35	112	460	1400	2000	390	<b>K175x183x35</b>	35.17	2.7
<b>185</b> 7.2834	195	35	145	548	1200	1800	590	<b>K185x195x40</b>	40.17	3.3
<b>195</b> 7.6771	205	40	150	585	1100	1700	650	<b>K195x202x40</b>	40.17	3.3



## Series NKI; NA

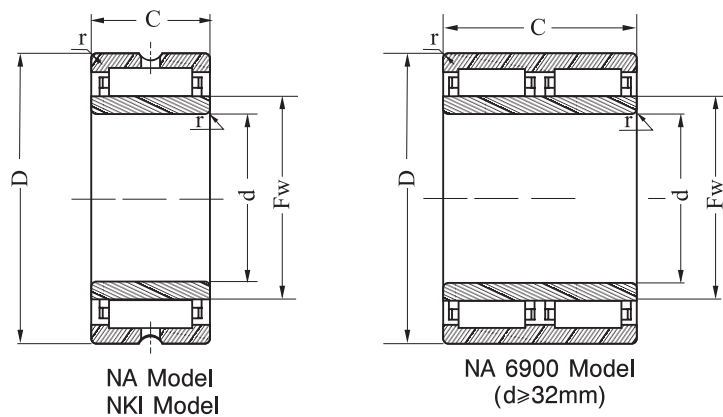
Boundary dimensions /mm			Basic load ratings /kN		Limiting speeds /(r/min)		Mass/g	
<i>d</i>	<i>D</i>	<i>C</i>	<i>C<sub>r</sub></i>	<i>C<sub>or</sub></i>	/(r/min)		<i>W</i> ≈	NA Model
					grease	oil		NKI Model
<b>5</b> 0.1968	15	12	3.70	3.70	19000	28000	12.3	NKI 5/12
	15	16	4.90	5.30	19000	28000	16.4	NKI 5/12
<b>6</b> 0.2362	16	12	4.20	4.50	18000	26000	13.5	NKI 6/12
	16	16	5.60	6.50	18000	26000	18.1	NKI 6/16
<b>7</b> 0.2755	17	12	4.40	4.90	16000	24000	14.8	NKI 7/12
	17	16	5.90	7.20	16000	24000	19.8	NKI 7/12
<b>9</b> 0.3543	19	12	6.50	7.10	15000	22000	16.9	NKI 9/12
	19	16	9.10	11.0	15000	22000	22.4	NKI 9/16
<b>10</b> 0.3937	22	13	8.60	9.20	15000	22000	24.3	NA 4900
	22	16	11.0	12.5	15000	22000	30.2	NKI 10/16
	22	20	14.0	17.0	15000	22000	37.8	NKI 10/20
<b>12</b> 0.4724	24	13	9.60	10.8	13000	19000	27.6	NA 4901
	24	16	11.5	14.0	13000	19000	33.8	NKI 12/16
	24	20	14.5	18.8	13000	19000	42.2	NKI 12/20
	24	22	16.2	21.5	13000	19000	46.9	NA 6901
<b>15</b> 0.5904	27	16	13.2	17.5	10000	16000	39.7	NKI 15/16
	27	20	16.8	23.5	10000	16000	49.7	NKI 15/20
	28	13	10.2	12.8	10000	16000	35.9	NA 4902
	28	23	17.5	25.5	10000	16000	63.7	NA 6902
<b>17</b> 0.6692	29	16	13.8	18.8	9500	15000	43.3	NKI 17/16
	29	20	17.5	25.5	9500	15000	54.3	NKI 17/20
	30	13	11.2	14.5	9500	15000	39.4	NA 4903
	30	23	19.0	28.8	9500	15000	69.9	NA 6903
<b>20</b> 0.7874	32	16	15.2	22.2	9000	14000	49.3	NKI 20/16
	32	20	19.2	30.2	9000	14000	61.7	NKI 20/20
	37	17	21.2	25.2	9000	14000	79.9	NA 4904
	37	30	35.2	48.5	9000	14000	141	NA 6904
<b>22</b> 0.8661	34	16	15.5	23.5	9000	13000	52.9	NKI 22/16
	34	20	19.8	32.0	9000	13000	66.1	NKI 22/20





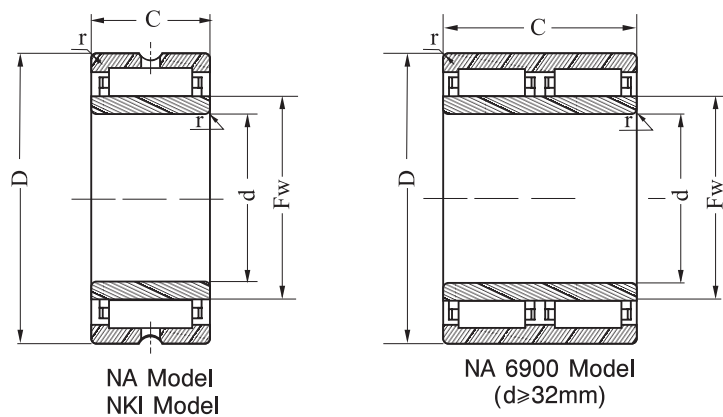
## Series NKI; NA

Boundary dimensions /mm			Basic load ratings /kN		Limiting speeds /(r/min)		Mass/g	
<i>d</i>	<i>D</i>	<i>C</i>	<i>C<sub>r</sub></i>	<i>C<sub>or</sub></i>	grease	oil	W	NA Model NKI Model
<b>22</b> 0.8661	39	17	23.2	29.2	9000	13000	85.4	NA 49/22
	39	30	38.5	56.2	9000	13000	151	NA 69/22
<b>25</b> 0.9842	38	20	22.2	34.0	8000	12000	78.6	NKI 25/20
	38	30	33.5	58.0	8000	12000	119	NKI 25/30
	42	17	24.0	31.2	8000	12000	94.7	NA 4905
	42	30	40.0	60.2	8000	12000	167	NA 6905
<b>28</b> 1.1023	42	20	23.5	37.8	7500	11000	96.4	NKI 28/20
	42	30	35.5	64.2	7500	11000	145	NKI 28/30
	45	17	24.8	33.2	7500	11000	104	NA 49/28
	45	30	41.5	64.2	7500	11000	183	NA 69/28
<b>30</b> 1.1811	45	20	24.8	41.5	7000	10000	112	NKI 30/20
	45	30	37.5	70.5	7000	10000	169	NKI 30/30
	47	17	25.5	35.5	7000	10000	108	NA 4906
	47	30	42.8	68.5	7000	10000	191	NA 6906
<b>32</b> 1.2598	47	20	25.2	43.2	6300	9000	118	NKI 32/20
	47	30	38.2	74.0	6300	9000	178	NKI 32/30
	52	20	31.5	48.5	6300	9000	168	NA 49/32
	52	36	48.0	83.2	6300	9000	-	NA 69/32
<b>35</b> 1.3779	50	20	26.5	47.2	6300	9000	127	NKI 35/20
	50	30	40.0	80.2	6300	9000	191	NKI 35/30
	55	20	32.5	51.0	6000	8500	181	NA 4907
	55	36	49.5	87.2	6000	8500	-	NA6907
<b>38</b> 1.4960	53	20	27.5	50.8	5600	8000	136	NKI 38/20
	53	30	41.5	86.5	5600	8000	205	NKI 38/30
<b>40</b> 1.5748	55	20	28.0	52.8	5300	7500	142	NKI 40/20
	55	30	42.5	89.8	5300	7500	214	NKI 40/30
	62	22	43.5	66.2	5000	7000	240	NA 4908
	62	40	62.8	108	5000	7000	-	NA6908
<b>42</b> 1.6535	57	20	29.2	56.5	5000	7000	148	NKI 42/20
	57	30	44.2	96.2	5000	7000	223	NKI 42/30



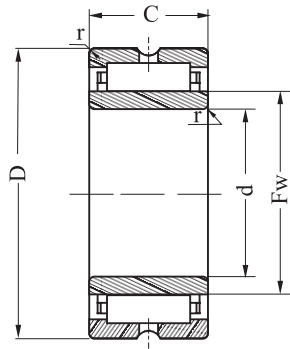
## Series NKI; NA

Boundary dimensions /mm			Basic load ratings /kN		Limiting speeds /(r/min)		Mass/g	
<i>d</i>	<i>D</i>	<i>C</i>	<i>C<sub>r</sub></i>	<i>C<sub>or</sub></i>	grease	oil	W	NA Model
								NKI Model
<b>45</b> 1.7716	62	25	38.8	74.2	4800	6700	225	NKI 45/25
	62	35	51.8	108	4800	6700	314	NKI 45/35
	68	22	46.0	73.0	4800	6700	284	NA 4909
<b>50</b> 1.9685	68	40	67.2	118	4800	6700	-	NA 6909
	68	25	41.0	82.5	4500	6300	267	NKI 50/25
	68	35	54.8	120	4500	6300	373	NKI 50/35
	72	22	48.2	80.0	4500	6300	287	NA 4910
<b>55</b> 2.1653	72	40	70.2	128	4500	6300	-	NA 6910
	72	25	43.2	90.8	4000	5600	267	NKI 55/25
	72	35	57.5	132	4000	5600	373	NKI 55/35
	80	25	58.5	99.0	4000	5600	416	NA 4911
<b>60</b> 2.3622	80	45	87.8	168	4000	5600	-	NA 6911
	82	25	45.5	92.0	3800	5300	398	NKI 60/25
	82	35	66.5	150	3800	5300	559	NKI 60/35
	85	25	61.2	108	3800	5300	448	NA 4912
<b>65</b> 2.5590	85	45	90.8	182	3800	5300	-	NA 6912
	90	25	62.2	112	3600	5000	479	NA 4913
	90	25	54.2	100	3600	5000	483	NKI 65/25
	90	35	79.5	165	3600	5000	680	NKI 65/35
<b>70</b> 2.7559	90	45	93.2	188	3600	5000	-	NA 6913
	95	25	57.2	112	3200	4500	512	NKI 70/25
	95	35	83.8	182	3200	4500	720	NKI 70/35
	100	30	84.0	152	3200	4500	762	NA 4914
<b>75</b> 2.9527	100	54	130	260	3200	4500	-	NA 6914
	105	25	69.2	120	3000	4500	669	NKI 75/25
	105	30	85.5	158	3000	4300	805	NA 4915
	105	35	100	195	3000	4300	939	NKI 75/35
<b>80</b> 31.4960	105	54	130	270	3000	4300	-	NA 6915
	110	25	72.2	130	2800	4300	708	NKI 80/25
	110	30	89.0	170	2800	4000	852	NA 4916
	110	35	105	210	2800	4000	993	NKI 80/35



## Series NKI; NA

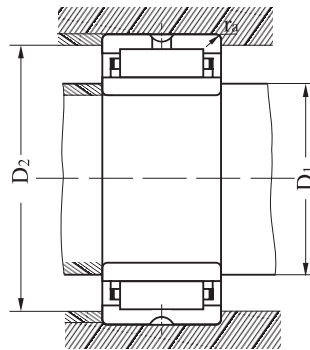
Boundary dimensions /mm			Basic load ratings /kN		Limiting speeds /(r/min)		Mass/g	
<i>d</i>	<i>D</i>	<i>C</i>	<i>C<sub>r</sub></i>	<i>C<sub>or</sub></i>	grease	oil	W ≈	NA Model NKI Model
<b>80</b> 3.1496	110	54	135	292	2800	4000	-	NA 6916
<b>85</b> 3.3464	115	26	76.8	142	2400	3600	774	NKI 85/26
	115	36	110	225	2400	3600	1070	NKI 85/36
	120	35	112	235	2400	3600	1280	NA 4917
	120	63	155	365	2400	3600	-	NA 6917
<b>90</b> 3.5433	120	26	79.8	152	2400	3600	814	NKI 90/26
	120	36	115	242	2400	3600	1130	NKI 90/36
	125	35	115	250	2200	3400	1340	NA 4918
	125	63	165	388	2200	3400	-	NA 6918
<b>95</b> 3.7401	125	26	80.8	158	2200	3400	851	NKI 95/26
	125	36	115	250	2200	3400	1180	NKI 95/36
	130	35	120	265	2000	3200	1410	NA 4919
	130	63	172	412	2000	3200	-	NA 6919
<b>100</b> 3.9370	130	30	98.2	205	2000	3200	1020	NKI 100/30
	130	40	125	285	2000	3200	1370	NKI 100/40
	140	40	130	270	2000	3200	1960	NA 4920
	140	71	202	480	2000	3200	-	NA 6920
<b>110</b> 4.3307	140	30	93.0	210	2000	3200	1130	NA 4822
	150	40	138	295	1900	3000	2120	NA 4922
<b>120</b> 4.7244	150	30	96.2	225	1900	3000	1220	NA 4824
	165	45	180	382	1800	2800	2910	NA 4924
<b>130</b> 5.1181	165	35	118	302	1700	2600	-	NA 4826
	180	50	202	460	1600	2400	3960	NA 4926
<b>140</b> 5.5118	175	35	122	320	1600	2400	1980	NA 4828
	190	50	210	488	1500	2200	4220	NA 4928
<b>150</b> 5.9055	190	40	150	395	1500	2200	2800	NA 4830
<b>160</b> 6.2992	200	40	158	418	1500	2200	2970	NA 4832



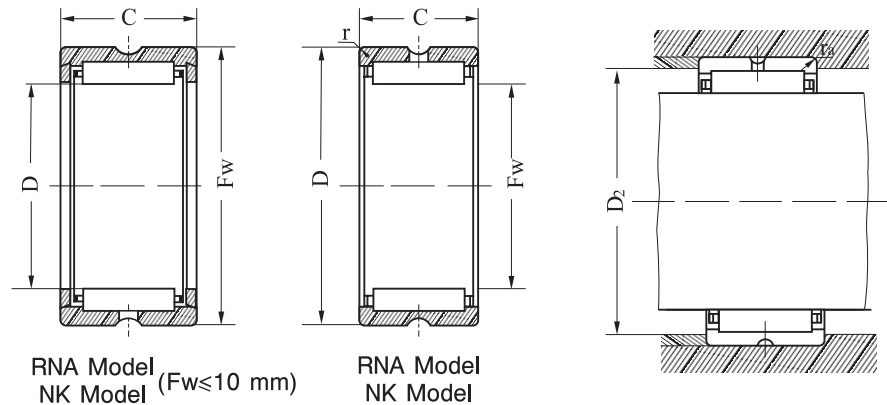
NA Model  
NKI Model

Series NA

Boundary dimensions /mm			Basic load ratings /kN		Limiting speeds /(r/min)		Mass/g	
<i>d</i>	<i>D</i>	<i>C</i>	<i>C<sub>r</sub></i>	<i>C<sub>or</sub></i>	grease	oil	W ≈	NA Model NKI Model
<b>170</b> 6.6929	215	45	192	520	1300	2000	4080	NA 4834
<b>180</b> 7.0866	225	45	198	552	1200	1900	4290	NA 4836
<b>190</b> 7.4803	240	50	230	688	1200	1800	5700	NA 4838
<b>200</b> 7.8740	250	50	235	725	1100	1700	5970	NA 4840
<b>220</b> 8.6614	270	50	245	785	950	1500	6500	NA 4844
<b>240</b> 9.4488	300	60	352	1050	900	1400	10100	NA 4848
<b>260</b> 10.2362	320	60	368	1130	800	1200	10800	NA 4852
<b>280</b> 11.0236	350	69	445	1310	750	1100	15800	NA 4856
<b>300</b> 11.8110	380	80	608	1700	750	1100	22200	NA 4860
<b>320</b> 12.5984	400	80	630	1820	700	1000	23500	NA 4864
<b>340</b> 13.3858	420	80	642	1900	670	950	24800	NA 4868
<b>360</b> 14.1732	440	80	662	2010	630	900	26100	NA 4872

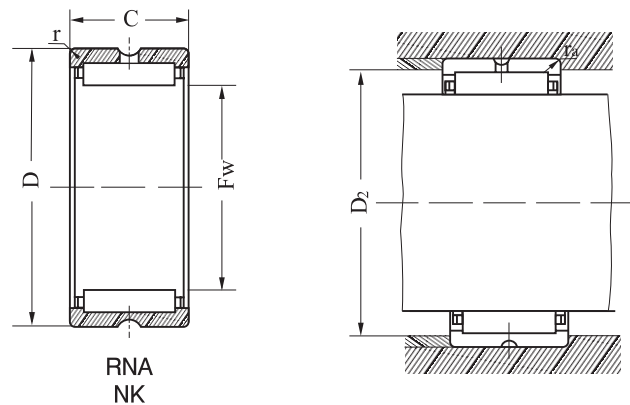


<i>d</i>	<i>F<sub>w</sub></i>	<i>r<sub>s</sub></i> <i>min</i>	<i>D<sub>1</sub></i> <i>min</i>	<i>D<sub>2</sub></i> <i>max</i>	<i>r<sub>s</sub></i> <i>max</i>	
<b>170</b> 6.6929	185	1.1	176.5	208.5	1	4544834
<b>180</b> 7.0866	195	1.1	186.5	218.5	1	4544836
<b>190</b> 7.4803	210	1.5	198	232	1.5	4544838
<b>200</b> 7.8740	220	1.5	208	242	1.5	4544840
<b>220</b> 8.6614	240	1.5	228	262	1.5	4544844
<b>240</b> 9.4488	265	2	249	291	2	4544848
<b>260</b> 10.2362	285	2	269	311	2	4544852
<b>280</b> 11.0236	305	2	289	341	2	4544856
<b>300</b> 11.8110	330	2.1	311	369	2.1	4544860
<b>320</b> 12.5984	350	2.1	331	389	2.1	4544864
<b>340</b> 13.3858	370	2.1	351	409	2.1	4544868
<b>360</b> 14.1732	390	2.1	371	429	2.1	4544872



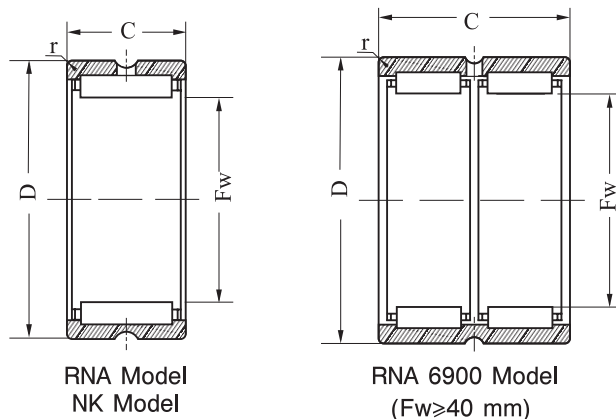
Series NK; RNA

Boundary dimensions /mm			Basic load ratings /kN			Limiting speeds /(r/min)		Mass /kg	RNA Model	D <sub>2</sub>	r <sub>as</sub>	
F <sub>w</sub>	D	C	r <sub>s</sub> min	C <sub>r</sub>	C <sub>or</sub>	grease	oil	W	NK Model	max	max	
<b>5</b> 0.1968	10	10	0.15	2.10	1.60	22000	32000	3.30	<b>NK 5/10</b>	8.8	0.15	-
	10	12	0.15	2.80	2.30	22000	32000	4.00	<b>NK 5/12</b>	8.8	0.15	-
<b>6</b> 0.2362	12	10	0.15	2.40	1.90	22000	32000	5.10	<b>NK 6/10</b>	10.8	0.15	-
	12	12	0.15	3.10	2.80	22000	32000	6.20	<b>NK 6/12</b>	10.8	0.15	-
<b>7</b> 0.2755	14	10	0.30	2.60	2.30	20000	30000	7.30	<b>NK 7/ 10</b>	12	0.3	-
	14	12	0.30	3.40	3.20	20000	30000	8.80	<b>NK 7/12</b>	12	0.3	-
<b>8</b> 0.3149	15	12	0.30	3.70	3.70	19000	28000	9.60	<b>NK 8/12</b>	13	0.3	-
	15	16	0.30	4.90	5.30	19000	28000	12.8	<b>NK 8/16</b>	13	0.3	-
<b>9</b> 0.3543	16	12	0.30	4.20	4.50	18000	26000	10.4	<b>NK 9/12</b>	14	0.3	-
	16	16	0.30	5.60	6.50	18000	26000	13.9	<b>NK 9/16</b>	14	0.3	-
<b>10</b> 0.3937	17	12	0.30	4.40	4.90	16000	24000	11.2	<b>NK 10/12</b>	15	0.3	-
	17	16	0.30	5.90	7.20	16000	24000	15.1	<b>NK 10/16</b>	15	0.3	-
<b>12</b> 0.4724	19	12	0.30	6.50	7.10	15000	22000	12.4	<b>NK 12/12</b>	17	0.3	-
	19	16	0.30	9.10	11.0	15000	22000	16.3	<b>NK 12/16</b>	17	0.3	-
<b>14</b> 0.5511	22	13	0.3	8.60	9.20	15000	22000	16.8	<b>RNA 4900</b>	20	0.3	<b>4644900</b>
	22	16	0.3	11.0	12.5	15000	22000	20.9	<b>NK 14/16</b>	20	0.3	-
	22	20	0.3	14.0	17.0	15000	22000	26.2	<b>NK 14/20</b>	20	0.3	-
<b>15</b> 0.5904	23	16	0.3	11.0	12.8	14000	20000	21.8	<b>NK 15/16</b>	21	0.3	-
	23	20	0.3	13.8	17.2	14000	20000	27.2	<b>NK 15/20</b>	21	0.3	-
<b>16</b> 0.6299	24	13	0.3	9.60	10.8	13000	19000	18.8	<b>RNA 4901</b>	22	0.3	<b>4644901</b>
	24	16	0.3	11.5	14.0	13000	19000	23.0	<b>NK 16/16</b>	22	0.3	-
	24	20	0.3	14.5	18.8	13000	19000	28.6	<b>NK 16/20</b>	22	0.3	-
	24	22	0.3	16.2	21.5	13000	19000	32.1	<b>RNA 6901</b>	22	0.3	<b>6644901</b>
<b>17</b> 0.6692	25	16	0.3	12.2	15.0	12000	18000	24.2	<b>NK 17/16</b>	23	0.3	-
	25	20	0.3	15.5	20.5	12000	18000	30.2	<b>NK 17/20</b>	23	0.3	-
<b>18</b> 0.7086	26	16	0.3	12.8	16.2	11000	17000	25.4	<b>NK 18/16</b>	24	0.3	-
	26	20	0.3	16.2	22.0	11000	17000	31.7	<b>NK 18/20</b>	24	0.3	-



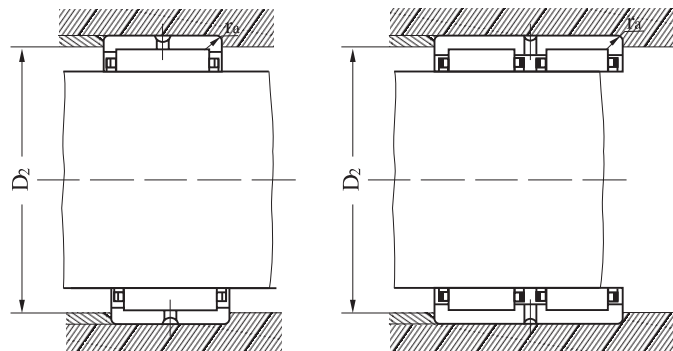
## Series NK; RNA

Boundary dimensions /mm			Basic load ratings /kN			Limiting speeds /(r/min)		Mass /kg	RNA Model	D <sub>2</sub>	r <sub>as</sub>	
F <sub>w</sub>	D	C	r <sub>s</sub> min	C <sub>r</sub>	C <sub>or</sub>	grease	oil	W	NK Model	max	max	
<b>19</b> 0.7480	27	16	0.3	13.2	17.5	10000	16000	26.6	<b>NK 19/16</b>	25	0.3	-
	27	20	0.3	16.8	23.5	10000	16000	33.2	<b>NK 19/20</b>	25	0.3	-
<b>20</b> 0.7874	28	13	0.3	10.2	10.8	10000	16000	22.2	<b>RNA 4902</b>	26	0.3	<b>4644902</b>
	28	16	0.3	13.2	17.5	10000	16000	27.4	<b>NK 20/16</b>	26	0.3	-
	28	20	0.3	16.8	23.8	10000	16000	34.3	<b>NK 20/20</b>	26	0.3	-
	28	23	0.3	17.5	25.2	10000	16000	63.7	<b>RNA 6902</b>	26	0.3	<b>6644902</b>
<b>21</b> 0.8267	29	16	0.3	13.8	18.8	9500	15000	28.6	<b>NK 21/16</b>	27	0.3	-
	29	20	0.3	17.5	25.5	9500	15000	35.9	<b>NK 21/20</b>	27	0.3	-
<b>22</b> 0.8661	30	13	0.3	11.2	14.5	9500	15000	24.1	<b>RNA 4903</b>	28	0.3	<b>4644903</b>
	30	16	0.3	14.2	20.0	9500	15000	29.9	<b>NK 22/16</b>	28	0.3	-
	30	20	0.3	18.0	27.0	9500	15000	37.4	<b>NK 22/20</b>	28	0.3	-
	30	23	0.3	19.0	28.8	9500	15000	43.1	<b>RNA 6903</b>	28	0.3	<b>6644903</b>
<b>24</b> 0.9448	32	16	0.3	15.2	22.2	9000	14000	32.3	<b>NK 24/16</b>	30	0.3	-
	32	20	0.3	19.2	30.2	9000	14000	40.4	<b>NK 24/20</b>	30	0.3	-
<b>25</b> 0.9842	33	16	0.3	15.2	22.5	9000	14000	33.2	<b>NK 25/16</b>	31	0.3	-
	33	20	0.3	19.2	30.5	9000	14000	41.4	<b>NK 25/20</b>	31	0.3	-
	37	17	0.3	21.2	25.2	9000	14000	56.7	<b>RNA 4904</b>	35	0.3	<b>4644904</b>
	37	30	0.3	35.2	48.5	9000	14000	101	<b>RNA 6904</b>	35	0.3	<b>6644904</b>
<b>26</b> 1.0236	34	16	0.3	15.5	23.5	9000	13000	34.4	<b>NK 26/16</b>	32	0.3	-
	34	20	0.3	19.8	32.0	9000	13000	42.9	<b>NK 26/20</b>	32	0.3	-
<b>28</b> 1.1023	37	20	0.3	22.2	34.0	9000	13000	51.6	<b>NK 28/20</b>	35	0.3	-
	37	30	0.3	33.8	57.8	9000	13000	77.7	<b>NK 28/30</b>	35	0.3	-
	39	17	0.3	23.2	29.2	9000	13000	54.4	<b>RNA 49/22</b>	37	0.3	<b>46449/22</b>
	39	30	0.3	38.5	56.2	9000	13000	96.5	<b>RNA 69/22</b>	37	0.3	<b>66449/22</b>
<b>29</b> 1.1417	38	20	0.3	22.2	34.0	8000	12000	52.7	<b>NK 29/20</b>	36	0.3	-
	38	30	0.3	33.5	58.0	8000	12000	79.4	<b>NK 29/30</b>	36	0.3	-
<b>30</b> 1.1811	40	20	0.3	23.0	35.8	8000	12000	64.2	<b>NK 30/20</b>	38	0.3	-
	40	30	0.3	34.8	61.0	8000	12000	96.6	<b>NK 30/30</b>	38	0.3	-
	42	17	0.3	24.0	31.2	8000	12000	66.2	<b>RNA 4905</b>	40	0.3	<b>4644905</b>



Series NK; RNA

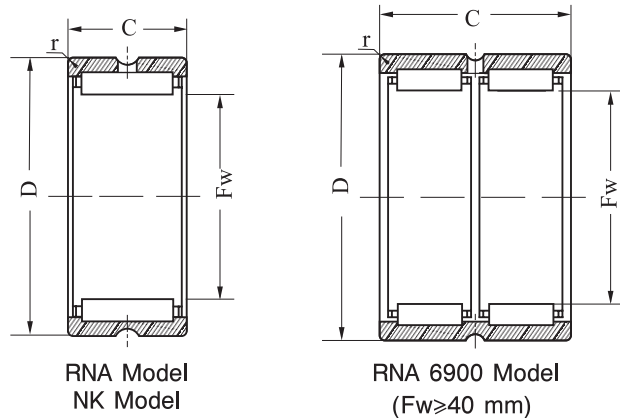
Boundary dimensions /mm			Basic load ratings /kN			Limiting speeds		Mass				
F <sub>w</sub>	D	C	r <sub>s</sub> min	C <sub>r</sub>	C <sub>or</sub>	/(r/min)		/kg W ≈	RNA Model	D <sub>2</sub>	r <sub>as</sub>	
						grease	oil		NK Model	max	max	
<b>30</b> 1.1811	42	30	0.3	40.0	60.2	8000	12000	117	<b>RNA 6905</b>	40	0.3	<b>6644905</b>
<b>32</b> 1.2598	42	20	0.3	23.5	37.8	7500	11000	67.6	<b>NK 32/20</b>	40	0.3	-
	42	30	0.3	35.5	64.2	7500	11000	105	<b>NK 32/30</b>	40	0.3	-
	45	17	0.3	24.8	33.2	7500	11000	79	<b>RNA 49/28</b>	43	0.3	<b>46449/28</b>
	45	30	0.3	41.5	64.2	7500	11000	140	<b>RNA 69/28</b>	43	0.3	<b>66449/28</b>
<b>35</b> 1.3779	45	20	0.3	24.8	41.5	7000	10000	73.1	<b>NK 35/20</b>	43	0.3	-
	45	30	0.3	37.5	70.5	7000	10000	110	<b>NK 35/30</b>	43	0.3	-
	47	17	0.3	25.5	35.5	7000	10000	74.7	<b>RNA 4906</b>	45	0.3	<b>4644906</b>
	47	30	0.3	42.8	68.5	7000	10000	133	<b>RNA 6906</b>	45	0.3	<b>6644906</b>
<b>37</b> 1.4566	47	20	0.3	25.2	43.2	6300	9000	76.5	<b>NK 37/20</b>	45	0.3	-
	47	30	0.3	38.2	74.0	6300	9000	115	<b>NK 37/30</b>	45	0.3	-
<b>38</b> 1.4960	48	20	0.3	26.0	45.2	6300	9000	78.5	<b>NK 38/20</b>	46	0.3	-
	48	30	0.3	39.2	77.0	6300	9000	118	<b>NK 38/30</b>	46	0.3	-
<b>40</b> 1.5748	50	20	0.3	26.5	47.2	6300	9000	81.9	<b>NK 40/20</b>	48	0.3	-
	50	30	0.3	40.0	80.2	6300	9000	123	<b>NK 40/30</b>	48	0.3	-
	52	20	0.3	31.5	48.5	6300	9000	98.7	<b>RNA 49/32</b>	48	0.6	<b>46449/32</b>
	52	36	0.3	48.0	83.2	6300	9000	-	<b>RNA 69/32</b>	48	0.6	<b>63549/32</b>
<b>42</b> 1.6535	52	20	0.3	27.0	49.0	6000	8500	85.3	<b>NK 42/20</b>	50	0.3	-
	52	30	0.3	40.8	83.5	6000	8500	128	<b>NK 42/30</b>	50	0.3	-
	55	20	0.3	32.5	51.0	6000	8500	116.3	<b>RNA 4907</b>	51	0.6	<b>4644907</b>
	55	36	0.3	49.5	87.2	6000	8500	-	<b>RNA 6907</b>	51	0.6	<b>6354907</b>
<b>43</b> 1.6929	53	20	0.3	27.5	50.8	5600	8000	87.3	<b>NK 43/30</b>	51	0.3	-
	53	30	0.3	41.5	86.5	5600	8000	132	<b>NK 43/30</b>	51	0.3	-
<b>45</b> 1.7716	55	20	0.3	28.0	52.8	5300	7500	90.7	<b>NK 45/20</b>	53	0.3	-
	55	30	0.3	42.5	89.8	5300	7500	137	<b>NK 45/30</b>	53	0.3	-
<b>47</b> 1.8503	57	20	0.3	29.2	56.5	5000	7000	94.7	<b>NK 47/20</b>	55	0.3	-
	57	30	0.3	44.2	96.2	5000	7000	143	<b>NK 47/30</b>	55	0.3	-
<b>48</b> 1.8897	62	22	0.6	43.5	66.2	5000	7000	146	<b>RNA 4908</b>	58	0.6	<b>4644908</b>



## Series NK; RNA

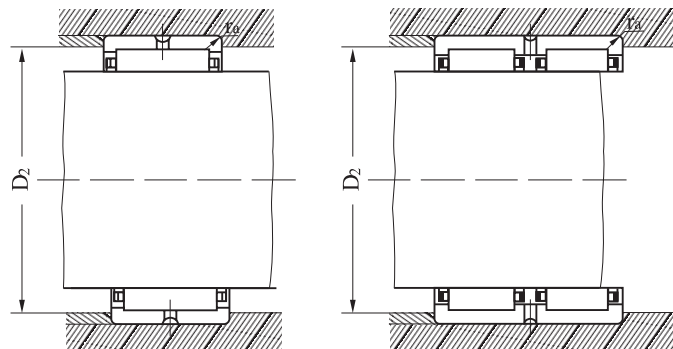
Boundary dimensions /mm			Basic load ratings /kN			Limiting speeds		Mass	RNA Model	D <sub>2</sub>	r <sub>as</sub>	
F <sub>w</sub>	D	C	r <sub>s</sub> min	C <sub>t</sub>	C <sub>or</sub>	/(r/min)		/kg W				
						grease	oil	≈	NK Model	max	max	
<b>48</b> 1.8897	62	40	0.6	62.8	108	5000	7000	-	<b>RNA 6908</b>	58	0.6	<b>6644908</b>
<b>50</b> 1.9685	62	25	0.6	38.8	74.2	4800	6700	154	<b>NK 50/25</b>	58	0.6	-
	62	35	0.6	51.8	108	4800	6700	215	<b>NK 50/35</b>	58	0.6	-
<b>52</b> 2.0472	68	22	0.6	46.0	73.0	4800	6700	194	<b>RNA 4909</b>	64	0.6	<b>4644909</b>
	68	40	0.6	67.2	118	4800	6700	-	<b>RNA 6909</b>	64	0.6	<b>6354909</b>
<b>55</b> 2.1653	68	25	0.6	41.0	82.5	4500	6300	188	<b>NK 55/25</b>	64	0.6	-
	68	35	0.6	54.8	120	4500	6300	264	<b>NK 55/35</b>	64	0.6	-
<b>58</b> 2.2834	72	22	0.6	48.2	80.0	4500	6300	172	<b>RNA 4910</b>	68	0.6	<b>4644910</b>
	72	40	0.6	70.2	128	4500	6300	-	<b>RNA 6910</b>	68	0.6	<b>6354910</b>
<b>60</b> 2.3622	72	25	0.6	43.2	90.8	4000	5600	181	<b>NK 60/25</b>	68	0.6	-
	72	35	0.6	57.5	132	4000	5600	254	<b>NK 60/35</b>	68	0.6	-
<b>63</b> 2.4803	80	25	1	58.5	99.0	4000	5600	274	<b>RNA 4911</b>	75	1	<b>4644911</b>
	80	45	1	87.8	168	4000	5600	-	<b>RNA 6911</b>	75	1	<b>6354911</b>
<b>65</b> 2.5590	78	25	0.6	45.2	98.8	4000	5600	219	<b>NK 65/25</b>	74	0.6	-
	78	35	0.6	60.2	142	4000	5600	307	<b>NK 65/35</b>	74	0.6	-
<b>68</b> 2.6771	82	25	0.6	45.5	92.0	3800	5300	245	<b>NK 68/25</b>	78	0.6	-
	82	35	0.6	66.5	150	3800	5300	343	<b>NK 68/35</b>	78	0.6	-
	85	25	1	61.2	108	3800	5300	294	<b>RNA 4912</b>	80	1	<b>4644912</b>
	85	45	1	90.8	182	3800	5300	-	<b>RNA 6912</b>	80	1	<b>6354912</b>
<b>72</b> 2.8346	90	25	1	62.2	112	3600	5000	335	<b>RNA 4913</b>	85	1	<b>4644913</b>
	90	45	1	93.2	188	3600	5000	-	<b>RNA 6913</b>	85	1	<b>6354913</b>
<b>73</b> 2.8546	90	25	1	54.2	100	3600	5000	319	<b>NK 73/25</b>	85	1	-
	90	35	1	79.5	165	3600	5000	448	<b>NK 73/35</b>	85	1	-
<b>75</b> 2.9527	92	25	1	55.2	105	3400	4800	328	<b>NK 75/25</b>	87	1	-
	92	35	1	81.0	170	3400	4800	460	<b>NK 75/35</b>	87	1	-
<b>80</b> 3.1496	95	25	1	57.2	112	3200	4500	288	<b>NK 80/25</b>	90	1	-





Series RNA; NK

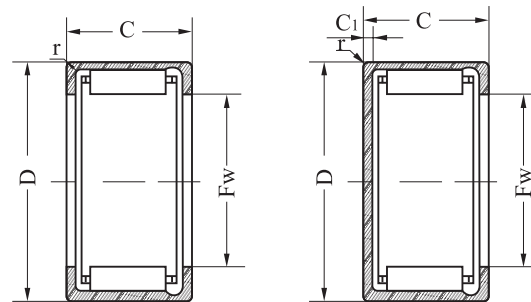
Boundary dimensions /mm			Basic load ratings /kN			Limiting speeds		Mass	RNA Model	D <sub>2</sub>	r <sub>as</sub>	
F <sub>w</sub>	D	C	r <sub>s</sub> min	C <sub>r</sub>	C <sub>or</sub>	/(r/min)		/kg	NK Model	max	max	
						grease	oil	W				
								≈				
<b>80</b> 3.1496	95	35	1	83.8	182	3200	4500	405	<b>NK 80/35</b>	90	1	-
	100	30	1	84.0	152	3200	4500	491	<b>RNA 4914</b>	95	1	<b>4644914</b>
	100	54	1	130	260	3200	4500	-	<b>RNA 6914</b>	95	1	<b>6354914</b>
<b>85</b> 3.3464	105	25	1	69.2	120	3000	4300	429	<b>NK 85/25</b>	100	1	-
	105	30	1	85.5	158	3000	4300	515	<b>RNA 4915</b>	100	1	<b>4644915</b>
	105	35	1	100	195	3000	4300	600	<b>NK 85/35</b>	100	1	-
<b>90</b> 3.5433	105	54	1	130	270	3000	4300	-	<b>RNA 6915</b>	100	1	<b>6354915</b>
	110	25	1	72.2	130	2800	4000	452	<b>NK 90/25</b>	105	1	-
	110	30	1	89.0	170	2800	4000	544	<b>RNA 4916</b>	105	1	<b>4644916</b>
<b>95</b> 3.74	110	35	1	105	210	2800	4000	634	<b>NK 90/35</b>	105	1	-
	110	54	1	135	292	2800	4000	-	<b>RNA 6916</b>	105	1	<b>6354916</b>
	115	26	1	76.8	142	2400	3600	492	<b>NK 95/26</b>	110	1	-
<b>100</b> 3.937	115	36	1	110	225	2400	3600	681	<b>NK 95/36</b>	110	1	-
	120	26	1	79.8	152	2400	3600	517	<b>NK 100/26</b>	115	1	-
	120	35	1.1	112	235	2400	3600	687	<b>RNA 4917</b>	113.5	1	<b>4644917</b>
<b>105</b> 4.1338	120	36	1	115	242	2400	3600	716	<b>NK 100/36</b>	115	1	-
	120	63	1.1	155	365	2400	3600	-	<b>RNA 6917</b>	113.5	1	<b>6354917</b>
	125	26	1	80.8	158	2200	3400	538	<b>NK 105/26</b>	120	1	-
	125	35	1.1	115	250	2200	3400	721	<b>RNA 4918</b>	118.5	1	<b>4644918</b>
<b>110</b> 4.3307	125	36	1	115	250	2200	3400	745	<b>NK 105/36</b>	120	1	-
	125	63	1.1	165	388	2200	3400	-	<b>RNA 6918</b>	118.5	1	<b>6354918</b>
	130	30	1.1	98.2	205	2000	3200	647	<b>NK 110/30</b>	123.5	1	-
	130	35	1.1	120	265	2000	3200	754	<b>RNA 4919</b>	123.5	1	<b>4644919</b>
<b>115</b> 4.5275	130	40	1.1	125	285	2000	3200	864	<b>NK 110/40</b>	123.5	1	-
	130	63	1.1	172	412	2000	3200	-	<b>RNA 6919</b>	123.5	1	<b>6354919</b>
	140	40	1.1	130	270	2000	3200	1180	<b>RNA 4920</b>	133.5	1	<b>4644920</b>
<b>120</b> 4.7244	140	71	1.1	202	480	2000	3200	-	<b>RNA 6920</b>	133.5	1	<b>6354920</b>
	140	30	1	93.0	210	2000	3200	718	<b>RNA 4822</b>	135	1	<b>4644822</b>
<b>125</b> 4.9212	150	40	1.1	138	295	1900	3000	1275	<b>RNA 4922</b>	143.5	1	<b>4644922</b>



## Series RNA

Boundary dimensions /mm			Basic load ratings /kN			Limiting speeds /(r/min)		Mass	RNA Model	D <sub>2</sub>	r <sub>as</sub>	
F <sub>w</sub>	D	C	r <sub>s</sub> min	C <sub>r</sub>	C <sub>or</sub>	grease	oil	/kg W				
								≈	NK Model	max	max	
<b>130</b> 5.1118	150	30	1	96.2	225	1900	3000	771	<b>RNA 4824</b>	145	1	<b>4644824</b>
<b>135</b> 5.3149	165	45	1.1	180	382	1800	2800	1870	<b>RNA 4924</b>	158.5	1	<b>4644924</b>
<b>145</b> 5.7086	165	35	1.1	118	302	1700	2600	990	<b>RNA 4826</b>	158.5	1	<b>4644826</b>
<b>150</b> 5.9055	180	50	1.5	202	460	1600	2400	2280	<b>RNA 4826</b>	172	1.5	<b>4644926</b>
<b>155</b> 6.1023	175	35	1.1	122	320	1600	2400	1050	<b>RNA 4928</b>	168.5	1	<b>4644828</b>
<b>160</b> 6.2992	190	50	1.5	210	488	1500	2200	2410	<b>RNA 4828</b>	182	1.5	<b>4644928</b>
<b>165</b> 6.496	190	40	1.1	152	395	1500	2200	1670	<b>RNA 4830</b>	183.5	1	<b>4644830</b>
<b>175</b> 6.8897	200	40	1.1	158	418	1500	2200	1760	<b>RNA 4832</b>	193.5	1	<b>4644832</b>
<b>185</b> 7.2834	215	45	1.1	192	520	1300	2000	2640	<b>RNA 4834</b>	208.5	1	<b>4644834</b>
<b>195</b> 7.6771	225	45	1.1	198	552	1200	1900	2770	<b>RNA 4836</b>	218.5	1	<b>4644836</b>
<b>210</b> 8.2677	240	50	1.5	230	688	1200	1800	3290	<b>RNA 4838</b>	232	1.5	<b>4644838</b>
<b>220</b> 8.6614	250	50	1.5	235	725	1100	1700	3440	<b>RNA 4840</b>	242	1.5	<b>4644840</b>
<b>240</b> 9.4488	270	50	1.5	245	785	950	1500	3730	<b>RNA 4844</b>	262	1.5	<b>4644844</b>
<b>265</b> 10.4330	300	60	2	352	1050	900	1400	5520	<b>RNA 4848</b>	291	2	<b>4644848</b>
<b>285</b> 11.2204	320	60	2	368	1130	800	1200	5910	<b>RNA 4852</b>	311	2	<b>4644852</b>
<b>305</b> 12.008	350	69	2	445	1310	750	1100	9700	<b>RNA 4856</b>	341	2	<b>4644856</b>
<b>330</b> 12.991	380	80	2.1	608	1700	750	1100	13100	<b>RNA 4860</b>	369	2.1	<b>4644860</b>
<b>350</b> 13.7796	400	80	2.1	630	1820	700	1000	13900	<b>RNA 4864</b>	389	2.1	<b>4644864</b>
<b>370</b> 14.5669	420	80	2.1	642	1900	670	950	14600	<b>RNA 4868</b>	409	2.1	<b>4644868</b>
<b>390</b> 15.3543	440	80	2.1	662	2010	630	900	15300	<b>RNA 4872</b>	429	2.1	<b>4644872</b>

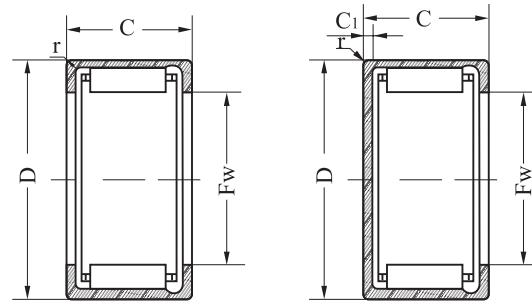
Series **HK; HKH**



HK 0000 Model

BK 0000 Model

F <sub>w</sub>	Boundary dimensions /mm		Basic load ratings /kN		Limiting speeds /(r/min)		Mass/g			
	D	C	C <sub>r</sub>	C <sub>or</sub>	grease	oil	W		HK 0000 Model	BK 0000 Model
		min					HK Model	BK Model		
4 0.1574	8	8	1.50	1.20	20000	28000	1.40	1.50	<b>HK 0408</b>	<b>BK 0408</b>
	8	9	1.80	1.40	20000	28000	1.60	1.70	<b>HK 0409</b>	<b>BK 0409</b>
5 0.1968	9	8	1.90	1.60	17000	24000	1.70	1.80	<b>HK 0508</b>	<b>BK 0508</b>
	9	9	2.30	2.00	17000	24000	1.90	2.00	<b>HK 0509</b>	<b>BK 0509</b>
6 0.2362	10	8	2.10	1.90	16000	22000	1.90	2.10	<b>HK 0608</b>	<b>BK 0608</b>
	10	9	2.50	2.10	16000	22000	2.10	2.30	<b>HK 0609</b>	<b>BK 0609</b>
	10	10	2.90	2.90	16000	22000	2.40	2.50	<b>HK 0610</b>	<b>BK 0610</b>
7 0.2755	11	8	2.30	2.20	15000	20000	2.10	2.30	<b>HK 0708</b>	<b>BK 0708</b>
	11	9	2.70	2.70	15000	20000	2.40	2.50	<b>HK 0709</b>	<b>BK 0709</b>
	11	10	3.10	3.30	15000	20000	2.70	2.90	<b>HK 0710</b>	<b>BK 0710</b>
	11	12	3.90	4.30	15000	20000	3.30	3.40	<b>HK 0712</b>	<b>BK 0712</b>
8 0.3149	12	8	2.40	2.40	14000	19000	2.40	2.60	<b>HK 0808</b>	<b>BK 0808</b>
	12	9	2.90	3.10	14000	19000	2.70	2.90	<b>HK 0809</b>	<b>BK 0809</b>
	12	10	3.30	3.70	14000	19000	2.90	3.20	<b>HK 0810</b>	<b>BK 0810</b>
	12	12	4.20	4.90	14000	19000	3.60	3.80	<b>HK 0812</b>	<b>BK 0812</b>
	14	10	3.40	3.20	14000	19000	5.50	5.90	<b>HKH 0810</b>	<b>BKH 0810</b>
	14	12	4.40	4.40	14000	19000	6.60	7.10	<b>HKH 0812</b>	<b>BKH 0812</b>
9 0.3543	14	14	5.40	5.70	14000	19000	7.90	8.30	<b>HKH 0814</b>	<b>BKH 0814</b>
	13	8	2.70	2.90	13000	18000	2.70	2.90	<b>HK 0908</b>	<b>BK 0908</b>
	13	9	3.30	3.70	13000	18000	2.90	3.20	<b>HK 0909</b>	<b>BK 0909</b>
	13	10	3.70	4.40	13000	18000	3.30	3.50	<b>HK 0910</b>	<b>BK 0910</b>
	13	12	4.70	5.90	13000	18000	4.10	4.30	<b>HK 0912</b>	<b>BK 0912</b>
	13	14	5.60	7.40	13000	18000	4.90	5.20	<b>HK 0914</b>	<b>BK 0914</b>
	15	10	3.70	3.60	13000	18000	5.90	6.40	<b>HKH 0910</b>	<b>BKH 0910</b>
	15	12	4.80	5.00	13000	18000	7.20	7.70	<b>HKH 0912</b>	<b>BKH 0912</b>
	15	14	5.80	6.50	13000	18000	8.40	9.00	<b>HKH 0914</b>	<b>BKH 0914</b>
	15	16	6.80	7.90	13000	18000	9.80	10.4	<b>HKH 0916</b>	<b>BKH 0916</b>
10 0.3937	14	8	2.90	3.20	11000	17000	2.90	3.20	<b>HK 1008</b>	<b>BK 1008</b>
	14	9	3.40	4.00	11000	17000	3.10	3.50	<b>HK 1009</b>	<b>BK 1009</b>
	14	10	3.90	4.80	11000	17000	3.60	3.90	<b>HK 1010</b>	<b>BK 1010</b>
	14	12	4.90	6.40	11000	17000	4.40	4.80	<b>HK 1012</b>	<b>BK 1012</b>
	14	14	5.80	8.00	11000	17000	5.30	5.60	<b>HK 1014</b>	<b>BK 1014</b>

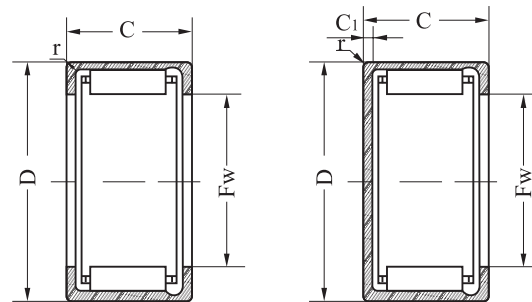


HK 0000 Model

BK 0000 Model

Series **HK; HKH**

Boundary dimensions /mm	Basic load ratings /kN				Limiting speeds /(r/min)		Mass/g				
	F <sub>w</sub>	D	C min	C <sub>r</sub>	C <sub>or</sub>	grease	oil	W			
								HK Model	BK Model	HK 0000 Model	BK 0000 Model
<b>10</b> 0.3937	16	10	3.90	4.00	11000	17000	6.40	7.00	<b>HKH 1010</b>	<b>BKH 1010</b>	
	16	12	5.10	5.60	11000	17000	7.80	8.50	<b>HKH 1012</b>	<b>BKH 1012</b>	
	16	14	6.20	7.30	11000	17000	9.10	9.80	<b>HKH 1014</b>	<b>BKH 1014</b>	
	16	16	7.30	8.90	11000	17000	10.6	11.2	<b>HKH 1016</b>	<b>BKH 1016</b>	
<b>12</b> 0.4724	16	8	3.10	3.80	9500	15000	3.30	3.80	<b>HK 1208</b>	<b>BK 1208</b>	
	16	9	3.70	4.70	9500	15000	3.70	4.20	<b>HK 1209</b>	<b>BK 1209</b>	
	16	10	4.30	5.60	9500	15000	4.10	4.60	<b>HK 1210</b>	<b>BK 1210</b>	
	16	12	5.30	7.50	9500	15000	5.10	5.50	<b>HK 1212</b>	<b>BK 1212</b>	
	16	14	6.30	9.40	9500	15000	6.00	6.50	<b>HK 1214</b>	<b>BK 1214</b>	
	18	10	4.40	4.90	9500	15000	7.30	8.30	<b>HKH 1210</b>	<b>BKH 1210</b>	
	18	12	5.80	6.90	9500	15000	9.00	9.90	<b>HKH 1212</b>	<b>BKH 1212</b>	
	18	14	7.00	8.80	9500	15000	10.6	11.5	<b>HKH 1214</b>	<b>BKH 1214</b>	
	18	16	8.20	10.8	9500	15000	12.2	13.2	<b>HKH 1216</b>	<b>BKH 1216</b>	
	18	18	9.30	12.8	9500	15000	13.8	14.7	<b>HKH 1218</b>	<b>BKH 1218</b>	
<b>14</b> 0.5511	20	10	4.90	5.80	9500	15000	8.30	9.60	<b>HK 1410</b>	<b>BK 1410</b>	
	20	12	6.30	8.10	9500	15000	10.1	11.3	<b>HK 1412</b>	<b>BK 1412</b>	
	20	14	7.70	10.5	9500	15000	12.0	13.2	<b>HK 1414</b>	<b>BK 1414</b>	
	20	16	9.00	12.8	9500	15000	13.9	15.2	<b>HK 1416</b>	<b>BK 1416</b>	
	20	18	10.2	15.0	9500	15000	15.6	16.9	<b>HK 1418</b>	<b>BK 1418</b>	
	20	20	11.5	17.2	9500	15000	17.5	18.7	<b>HK 1420</b>	<b>BK 1420</b>	
	22	12	7.00	7.20	9500	15000	13.2	14.5	<b>HKH 1412</b>	<b>BKH 1412</b>	
	22	14	8.80	9.60	9500	15000	15.7	17.0	<b>HKH 1414</b>	<b>BKH 1414</b>	
<b>15</b> 0.5904	22	16	10.5	12.0	9500	15000	18.1	19.4	<b>HKH 1416</b>	<b>BKH 1416</b>	
	22	18	12.2	14.2	9500	15000	20.5	21.8	<b>HKH 1418</b>	<b>BKH 1418</b>	
	22	20	13.5	16.8	9500	15000	23.1	24.4	<b>HKH 1420</b>	<b>BKH 1420</b>	
	21	10	5.10	6.20	9000	14000	8.70	10.2	<b>HK 1510</b>	<b>BK 1510</b>	
	21	12	6.60	8.70	9000	14000	10.7	12.1	<b>HK 1512</b>	<b>BK 1512</b>	
	21	14	8.00	11.2	9000	14000	12.7	14.1	<b>HK 1514</b>	<b>BK 1514</b>	
	21	16	9.40	13.8	9000	14000	14.5	16.0	<b>HK 1516</b>	<b>BK 1516</b>	
	21	18	10.8	16.2	9000	14000	16.5	18.0	<b>HK 1518</b>	<b>BK 1518</b>	
	21	20	12.0	18.5	9000	14000	18.5	20.0	<b>HK 1520</b>	<b>BK 1520</b>	
	23	12	7.50	7.90	9000	14000	13.9	15.4	<b>HKH 1512</b>	<b>BKH 1512</b>	
23	14	9.40	10.5	9000	14000	16.6	18.1	<b>HKH 1514</b>	<b>BKH 1514</b>		
23	16	11.2	13.2	9000	14000	19.3	20.8	<b>HKH 1516</b>	<b>BKH 1516</b>		
23	18	12.8	15.8	9000	14000	21.8	23.3	<b>HKH 1518</b>	<b>BKH 1518</b>		

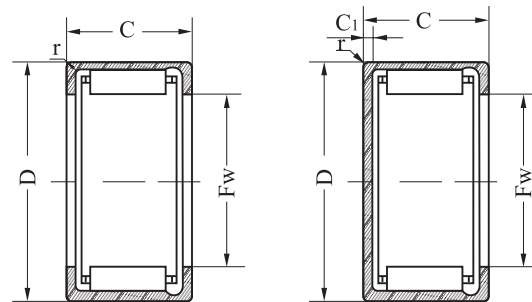


HK 0000 Model

BK 0000 Model

Series **HK; HKH**

Boundary dimensions /mm	Basic load ratings /kN				Limiting speeds		Mass/g				
	F <sub>w</sub>	D	C min	C <sub>r</sub>	C <sub>or</sub>	/(r/min)		W			
						grease	oil	HK Model	BK Model	HK 0000 Model	BK 0000 Model
<b>15</b> 0.5904	23	20	14.5	18.5	9000	14000	24.4	25.9	<b>HKH 1520</b>	<b>BKH 1520</b>	
	<b>16</b> 0.6299	22	10	5.30	6.60	8500	13000	9.00	10.6	<b>HK 1610</b>	<b>BK 1610</b>
22		12	6.80	9.30	8500	13000	11.0	12.6	<b>HK 1612</b>	<b>BK 1612</b>	
22		14	8.30	12.0	8500	13000	13.0	14.7	<b>HK 1614</b>	<b>BK 1614</b>	
22		16	9.70	14.5	8500	13000	15.1	16.7	<b>HK 1616</b>	<b>BK 1616</b>	
22		18	11.5	17.2	8500	13000	17.2	18.8	<b>HK 1618</b>	<b>BK 1618</b>	
22		20	12.5	20.0	8500	13000	19.2	20.9	<b>HK 1620</b>	<b>BK 1620</b>	
24		12	7.50	8.00	8500	13000	14.1	15.8	<b>HKH 1612</b>	<b>BKH 1612</b>	
24		14	9.40	10.8	8500	13000	17.0	18.6	<b>HKH 1614</b>	<b>BKH 1614</b>	
24		16	11.2	13.2	8500	13000	19.6	21.3	<b>HKH 1616</b>	<b>BKH 1616</b>	
24		18	12.8	16.0	8500	13000	22.3	24.0	<b>HKH 1618</b>	<b>BKH 1618</b>	
24		20	14.5	18.8	8500	13000	24.9	26.6	<b>HKH 1620</b>	<b>BKH 1620</b>	
<b>17</b> 0.6692		23	10	5.50	7.10	8000	12000	9.30	11.2	<b>HK 1710</b>	<b>BK 1710</b>
		23	12	7.10	9.90	8000	12000	11.5	13.4	<b>HK 1712</b>	<b>BK 1712</b>
		23	14	8.60	12.8	8000	12000	13.7	15.6	<b>HK 1714</b>	<b>BK 1714</b>
		23	16	10.2	15.5	8000	12000	15.9	17.7	<b>HK 1716</b>	<b>BK 1716</b>
		23	18	11.5	18.5	8000	12000	18.1	19.9	<b>HK 1718</b>	<b>BK 1718</b>
	23	20	13.5	22.5	8000	12000	20.5	22.4	<b>HK 1720</b>	<b>BK 1720</b>	
	25	12	7.90	8.80	8000	12000	14.9	16.8	<b>HKH 1712</b>	<b>BKH 1712</b>	
	25	14	9.90	11.8	8000	12000	17.8	19.7	<b>HKH 1714</b>	<b>BKH 1714</b>	
	25	16	11.8	14.5	8000	12000	20.7	22.6	<b>HKH 1716</b>	<b>BKH 1716</b>	
	25	18	13.5	17.5	8000	12000	23.5	25.4	<b>HKH 1718</b>	<b>BKH 1718</b>	
<b>18</b> 0.7086	25	20	15.2	20.5	8000	12000	26.4	28.3	<b>HKH 1720</b>	<b>BKH 1720</b>	
	24	10	5.60	7.50	7500	11000	9.90	12.0	<b>HK 1810</b>	<b>BK 1810</b>	
	24	12	7.30	10.5	7500	11000	12.0	14.2	<b>HK 1812</b>	<b>BK 1812</b>	
	24	14	8.90	13.5	7500	11000	14.5	16.5	<b>HK 1814</b>	<b>BK 1814</b>	
	24	16	10.5	16.5	7500	11000	16.7	18.8	<b>HK 1816</b>	<b>BK 1816</b>	
	24	18	12.0	19.5	7500	11000	19.0	21.1	<b>HK 1818</b>	<b>BK 1818</b>	
	24	20	13.2	22.5	7500	11000	21.2	23.3	<b>HK 1820</b>	<b>BK 1820</b>	
	26	12	8.30	9.50	7500	11000	15.7	17.9	<b>HKH 1812</b>	<b>BKH 1812</b>	
	26	14	10.5	12.8	7500	11000	18.8	20.9	<b>HKH 1814</b>	<b>BKH 1814</b>	
	26	16	12.5	15.8	7500	11000	21.8	23.9	<b>HKH 1816</b>	<b>BKH 1816</b>	
	26	18	14.2	19.8	7500	11000	24.8	26.9	<b>HKH 1818</b>	<b>BKH 1818</b>	
	26	20	16.2	22.2	7500	11000	27.8	30.0	<b>HKH 1820</b>	<b>BKH 1820</b>	

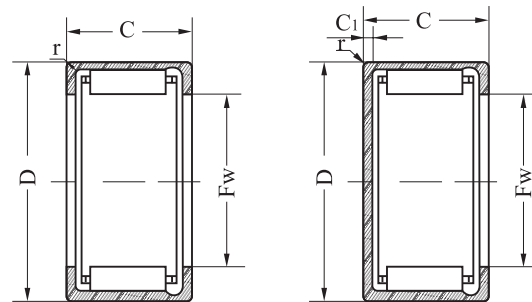


HK 0000 Model

BK 0000 Model

Series **HK; HKH**

Boundary dimensions /mm	Basic load ratings /kN				Limiting speeds		Mass/g				
	F <sub>w</sub>	D	C min	C <sub>r</sub>	C <sub>or</sub>	/(r/min)		W		HK 0000 Model	BK 0000 Model
						grease	oil	HK Model	BK Model		
<b>20</b> 0.7874	26	10	6.00	8.40	7000	10000	10.8	13.3	<b>HK 2010</b>	<b>BK 2010</b>	
	26	12	7.80	11.8	7000	10000	13.3	15.8	<b>HK 2012</b>	<b>BK 2012</b>	
	26	14	9.50	15.2	7000	10000	15.7	18.3	<b>HK 2014</b>	<b>BK 2014</b>	
	26	16	11.2	18.5	7000	10000	18.2	20.8	<b>HK 2016</b>	<b>BK 2016</b>	
	26	18	12.5	21.8	7000	10000	20.8	23.3	<b>HK 2018</b>	<b>BK 2018</b>	
	26	20	14.2	25.2	7000	10000	23.3	25.8	<b>HK 2020</b>	<b>BK 2020</b>	
	28	12	8.70	10.2	7000	10000	17.1	19.7	<b>HKH 2012</b>	<b>BKH 2012</b>	
	28	14	11.0	13.8	7000	10000	20.3	22.9	<b>HKH 2014</b>	<b>BKH 2014</b>	
	28	16	13.0	17.2	7000	10000	23.6	26.2	<b>HKH 2016</b>	<b>BKH 2016</b>	
	28	18	15.0	20.8	7000	10000	26.8	29.4	<b>HKH 2018</b>	<b>BKH 2018</b>	
<b>22</b> 0.8661	28	20	16.8	24.2	7000	10000	30.2	32.8	<b>HKH 2020</b>	<b>BKH 2020</b>	
	28	10	6.30	9.30	6700	9500	11.7	14.8	<b>HK 2210</b>	<b>BK 2210</b>	
	28	12	8.20	13.0	6700	9500	14.4	17.5	<b>HK 2212</b>	<b>BK 2212</b>	
	28	14	10.0	16.8	6700	9500	17.2	20.2	<b>HK 2214</b>	<b>BK 2214</b>	
	28	16	11.8	20.5	6700	9500	19.9	22.9	<b>HK 2216</b>	<b>BK 2216</b>	
	28	18	13.2	24.2	6700	9500	22.5	25.6	<b>HK 2218</b>	<b>BK 2218</b>	
	28	20	15.0	27.8	6700	9500	25.3	28.4	<b>HK 2220</b>	<b>BK 2220</b>	
	30	12	9.10	11.2	6700	9500	18.4	21.5	<b>HKH 2212</b>	<b>BKH 2212</b>	
	30	14	11.2	15.0	6700	9500	21.9	25.0	<b>HKH 2214</b>	<b>BKH 2214</b>	
	30	16	13.5	18.5	6700	9500	25.3	28.4	<b>HKH 2216</b>	<b>BKH 2216</b>	
<b>25</b> 0.9842	30	18	15.5	22.2	6700	9500	28.9	32.1	<b>HKH 2218</b>	<b>BKH 2218</b>	
	30	20	17.5	26.0	6700	9500	32.4	35.6	<b>HKH 2220</b>	<b>BKH 2220</b>	
	32	12	9.10	13.2	6300	9000	18.3	22.2	<b>HK 2512</b>	<b>BK 2512</b>	
	32	14	11.5	17.5	6300	9000	21.9	25.9	<b>HK 2514</b>	<b>BK 2514</b>	
	32	16	13.5	22.0	6300	9000	25.2	29.2	<b>HK 2516</b>	<b>BK 2516</b>	
	32	18	15.5	26.5	6300	9000	28.8	32.8	<b>HK 2518</b>	<b>BK 2518</b>	
	32	20	17.5	30.8	6300	9000	32.3	36.3	<b>HK 2520</b>	<b>BK 2520</b>	
	32	24	21.2	39.5	6300	9000	39.3	43.2	<b>HK 2524</b>	<b>BK 2524</b>	
	35	14	12.2	14.0	6300	9000	29.9	34.0	<b>HKH 2514</b>	<b>BKH 2514</b>	
	35	16	15.0	18.2	6300	9000	35.0	39.0	<b>HKH 2516</b>	<b>BKH 2516</b>	
<b>28</b> 1.1023	35	18	17.5	22.5	6300	9000	40.0	44.1	<b>HKH 2518</b>	<b>BKH 2518</b>	
	35	20	20.2	26.8	6300	9000	44.9	49.0	<b>HKH 2520</b>	<b>BKH 2520</b>	
	35	24	25.0	35.2	6300	9000	54.8	58.9	<b>HKH 2524</b>	<b>BKH 2524</b>	
	35	12	9.50	14.5	6300	9000	20.0	24.9	<b>HK 2812</b>	<b>BK 2812</b>	
	35	14	12.0	19.5	6300	9000	24.0	29.0	<b>HK 2814</b>	<b>BK 2814</b>	

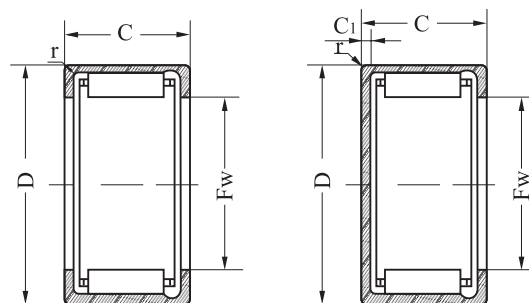


HK 0000 Model

BK 0000 Model

Series HK; HKH

Boundary dimensions /mm	Basic load ratings /kN				Limiting speeds /(r/min)		Mass/g				
	F <sub>w</sub>	D	C min	C <sub>r</sub>	C <sub>or</sub>	grease	oil	W			
								HK Model	BK Model	HK 0000 Model	BK 0000 Model
<b>28</b> 1.1023	35	16	14.2	24.2	6300	9000	27.6	32.6	<b>HK 2816</b>	<b>BK 2816</b>	
	35	18	16.2	29.2	6300	9000	31.7	36.6	<b>HK 2818</b>	<b>BK 2818</b>	
	35	20	18.5	34.0	6300	9000	35.5	40.5	<b>HK 2820</b>	<b>BK 2820</b>	
	35	24	22.5	43.5	6300	9000	43.2	48.1	<b>HK 2824</b>	<b>BK 2824</b>	
	38	14	13.2	16.2	6300	9000	33.2	38.3	<b>HKH 2814</b>	<b>BKH 2814</b>	
	38	16	16.5	21.2	6300	9000	38.8	43.9	<b>HKH 2816</b>	<b>BKH 2816</b>	
	38	18	19.2	26.2	6300	9000	44.4	49.5	<b>HKH 2818</b>	<b>BKH 2818</b>	
	38	20	22.2	31.0	6300	9000	49.8	54.9	<b>HKH 2820</b>	<b>BKH 2820</b>	
	38	24	27.5	41.0	6300	9000	60.8	65.8	<b>HKH 2824</b>	<b>BKH 2824</b>	
	<b>30</b> 1.1811	37	12	10.0	15.8	5600	8000	21.4	27.1	<b>HK 3012</b>	<b>BK 3012</b>
37		14	12.5	21.2	5600	8000	25.5	31.2	<b>HK 3014</b>	<b>BK 3014</b>	
37		16	15.0	26.5	5600	8000	29.6	35.3	<b>HK 3016</b>	<b>BK 3016</b>	
37		18	17.2	31.8	5600	8000	33.6	39.3	<b>HK 3018</b>	<b>BK 3018</b>	
37		20	19.2	37.0	5600	8000	37.9	43.6	<b>HK 3020</b>	<b>BK 3020</b>	
37		24	23.5	47.5	5600	8000	46.0	51.7	<b>HK 3024</b>	<b>BK 3024</b>	
40		14	13.8	17.5	5600	8000	35.2	41.0	<b>HKH 3014</b>	<b>BKH 3014</b>	
40		16	17.0	22.8	5600	8000	41.1	46.9	<b>HKH 3016</b>	<b>BKH 3016</b>	
40		18	20.2	28.0	5600	8000	47.0	52.8	<b>HKH 3018</b>	<b>BKH 3018</b>	
40		20	23.0	33.2	5600	8000	52.8	58.6	<b>HKH 3020</b>	<b>BKH 3020</b>	
<b>32</b> 1.2598 <b>35</b> 1.3779	39	12	10.5	17.2	5300	7500	22.7	29.2	<b>HK 3212</b>	<b>BK 3212</b>	
	39	14	13.2	23.0	5300	7500	27.2	33.7	<b>HK 3214</b>	<b>BK 3214</b>	
	39	16	15.5	28.5	5300	7500	31.3	37.8	<b>HK 3216</b>	<b>BK 3216</b>	
	39	18	18.0	34.2	5300	7500	35.8	42.3	<b>HK 3218</b>	<b>BK 3218</b>	
	39	20	20.2	40.0	5300	7500	40.4	46.8	<b>HK 3220</b>	<b>BK 3220</b>	
	39	24	24.5	51.5	5300	7500	49.0	55.5	<b>HK 3224</b>	<b>BK 3224</b>	
	42	14	14.5	18.5	5300	7500	37.2	43.7	<b>HKH 3214</b>	<b>BKH 3214</b>	
	42	16	17.8	24.2	5300	7500	43.5	50.1	<b>HKH 3216</b>	<b>BKH 3216</b>	
	42	18	20.8	29.8	5300	7500	49.7	56.3	<b>HKH 3218</b>	<b>BKH 3218</b>	
	42	20	23.8	35.5	5300	7500	55.8	62.4	<b>HKH 3220</b>	<b>BKH 3220</b>	
42	24	29.5	46.8	5300	7500	68.1	74.7	<b>HKH 3224</b>	<b>BKH 3224</b>		
	12	10.8	18.5	5000	7000	24.5	32.3	<b>HK 3512</b>	<b>BK 3512</b>		
	14	13.5	24.5	5000	7000	29.3	37.1	<b>HK 3514</b>	<b>BK 3514</b>		
	16	16.2	30.8	5000	7000	33.9	41.6	<b>HK 3516</b>	<b>BK 3516</b>		
	18	18.5	37.0	5000	7000	38.7	46.4	<b>HK 3518</b>	<b>BK 3518</b>		



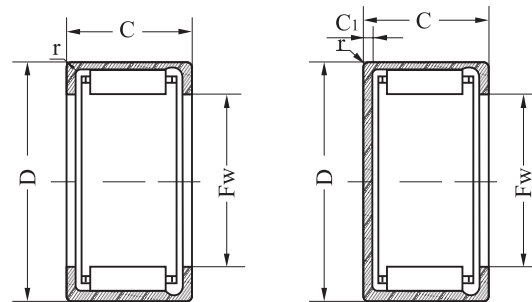
HK 0000 Model

BK 0000 Model

Series HK; HKH

Boundary dimensions /mm	Basic load ratings /kN				Limiting speeds		Mass/g				
	Fw	D	C min	Cr	Cor	/(r/min)		W			
						grease	oil	HK Model	BK Model	HK 0000 Model	BK 0000 Model
<b>35</b> 1.3779	42	20	21.0	43.2	5000	7000	43.5	51.2	HK 3520	BK 3520	
	42	24	25.5	55.5	5000	7000	52.8	60.5	HK 3524	BK 3524	
	45	14	14.8	19.8	5000	7000	39.8	47.6	HKH 3514	BKH 3514	
	45	16	18.2	25.8	5000	7000	46.5	54.4	HKH 3516	BKH 3516	
	45	18	21.5	31.8	5000	7000	53.2	61.0	HKH 3518	BKH 3518	
	45	20	24.5	37.8	5000	7000	59.8	67.7	HKH 3520	BKH 3520	
<b>38</b> 1.4860	45	24	30.2	49.8	5000	7000	72.9	80.8	HKH 3524	BKH 3524	
	45	12	11.2	19.8	4500	6300	26.4	35.4	HK 3812	BK 3812	
	45	14	14.0	26.5	4500	6300	31.5	40.6	HK 3814	BK 3814	
	45	16	16.8	33.0	4500	6300	36.4	45.4	HK 3816	BK 3816	
	45	18	19.2	39.5	4500	6300	41.5	50.6	HK 3818	BK 3818	
	45	20	21.8	46.2	4500	6300	46.7	55.7	HK 3820	BK 3820	
	55	24	26.2	59.5	4500	6300	56.7	65.8	HK 3824	BK 3824	
	48	14	15.8	22.2	4500	6300	43.1	52.3	HKH 3814	BKH 3814	
	48	16	19.5	28.8	4500	6300	50.4	59.6	HKH 3816	BKH 3816	
	48	18	22.8	35.5	4500	6300	57.6	66.8	HKH 3818	BKH 3818	
<b>40</b> 1.5748	48	20	26.2	42.2	4500	6300	64.7	73.9	HKH 3820	BKH 3820	
	48	24	32.2	55.5	4500	6300	78.9	88.1	HKH 3824	BKH 3824	
	47	12	11.5	21.2	4500	6300	27.6	37.7	HK 4012	BK 4012	
	47	14	14.5	28.2	4500	6300	33.1	43.1	HK 4014	BK 4014	
	47	16	17.2	35.2	4500	6300	38.1	48.2	HK 4016	BK 4016	
	47	18	20.0	42.2	4500	6300	43.7	53.7	HK 4018	BK 4018	
	47	20	22.5	49.2	4500	6300	49.0	59.1	HK 4020	BK 4020	
	47	24	27.2	63.5	4500	6300	59.6	69.7	HK 4024	BK 4024	
	50	14	16.2	23.2	4500	6300	45.1	55.2	HKH 4014	BKH 4014	
	50	16	20.0	30.2	4500	6300	52.7	62.8	HKH 4016	BKH 4016	
<b>42</b> 1.6535	50	18	23.5	37.2	4500	6300	60.3	70.4	HKH 4018	BKH 4018	
	50	20	26.8	44.5	4500	6300	67.7	77.8	HKH 4020	BKH 4020	
	50	24	33.2	58.5	4500	6300	82.7	92.8	HKH 4024	BKH 4024	
	49	12	12.0	22.5	4300	6000	29.0	40.1	HK 4212	BK 4212	
	49	14	15.0	30.0	4300	6000	34.7	45.7	HK 4214	BK 4214	
	49	16	18.0	37.5	4300	6000	40.1	51.2	HK 4216	BK 4216	
	49	18	20.5	45.0	4300	6000	45.8	56.8	HK 4218	BK 4218	
	49	20	23.2	52.2	4300	6000	51.4	62.5	HK 4220	BK 4220	
	49	24	28.2	67.2	4300	6000	62.5	73.6	HK 4224	BK 4224	
	52	14	16.5	24.5	4300	6000	47.0	58.2	HKH 4214	BKH 4214	





HK 0000 Model

BK 0000 Model

Series HK; HKH

Boundary dimensions /mm	Basic load ratings /kN				Limiting speeds /(r/min)		Mass/g				
	Fw	D	C min	Cr	Cor	grease	oil	W			
								HK Model	BK Model	HK 0000 Model	BK 0000 Model
<b>42</b> 1.6535	52	16	20.5	31.8	4300	6000	54.9	66.1	<b>HKH 4216</b>	<b>BKH 4216</b>	
	52	18	24.0	39.2	4300	6000	62.9	74.1	<b>HKH 4218</b>	<b>BKH 4218</b>	
	52	20	27.5	46.5	4300	6000	70.6	81.8	<b>HKH 4220</b>	<b>BKH 4220</b>	
	52	24	34.2	61.5	4300	6000	86.2	97.4	<b>HKH 4224</b>	<b>BKH 4224</b>	
<b>45</b> 1.7716	52	12	12.2	23.8	3800	5300	30.8	43.5	<b>HK 4512</b>	<b>BK 4512</b>	
	52	14	15.5	31.8	3800	5300	36.8	49.5	<b>HK 4514</b>	<b>BK 4514</b>	
	52	16	18.5	39.5	3800	5300	42.5	55.2	<b>HK 4516</b>	<b>BK 4516</b>	
	52	18	21.2	47.5	3800	5300	48.6	61.3	<b>HK 4518</b>	<b>BK 4518</b>	
	52	20	24.0	55.5	3800	5300	54.7	67.4	<b>HK 4520</b>	<b>BK 4520</b>	
	52	24	29.0	71.2	3800	5300	66.4	79.1	<b>HK 4524</b>	<b>BK 4524</b>	
	55	14	17.0	25.5	3800	5300	49.6	62.5	<b>HKH 4514</b>	<b>BKH 4514</b>	
	55	16	20.8	33.5	3800	5300	58.1	70.9	<b>HKH 4516</b>	<b>BKH 4516</b>	
	55	18	24.5	41.2	3800	5300	66.4	79.3	<b>HKH 4518</b>	<b>BKH 4518</b>	
	55	20	28.2	50.0	3800	5300	74.6	87.4	<b>HKH 4520</b>	<b>BKH 4520</b>	
<b>50</b> 1.9685	55	24	34.8	64.5	3800	5300	91.1	104	<b>HKH 4524</b>	<b>BKH 4524</b>	
	58	16	21.2	43.5	3400	4800	52.7	68.4	<b>HK 5016</b>	<b>BK 5016</b>	
	58	18	24.5	52.2	3400	4800	60.0	75.6	<b>HK 5018</b>	<b>BK 5018</b>	
	58	20	27.8	61.0	3400	4800	67.3	82.9	<b>HK 5020</b>	<b>BK 5020</b>	
<b>55</b> 2.1653	58	24	33.8	78.5	3400	4800	82.3	97.9	<b>HK 5024</b>	<b>BK 5024</b>	
	63	16	22.2	47.5	3200	4500	57.3	76.2	<b>HK 5516</b>	<b>BK 5516</b>	
	63	18	25.8	57.2	3200	4500	65.3	84.2	<b>HK 5518</b>	<b>BK 5518</b>	
	63	20	29.0	66.5	3200	4500	73.3	92.2	<b>HK 5520</b>	<b>BK 5520</b>	
<b>60</b> 2.3622	63	24	35.2	85.5	3200	4500	89.6	109	<b>HK 5524</b>	<b>BK 5524</b>	
	68	16	23.5	52.8	2800	4000	62.4	84.9	<b>HK 6016</b>	<b>BK 6016</b>	
	68	18	27.2	63.5	2800	4000	71.1	93.6	<b>HK 6018</b>	<b>BK 6018</b>	
	68	20	30.5	74.0	2800	4000	79.8	102	<b>HK 6020</b>	<b>BK 6020</b>	
<b>65</b> 2.5590	68	24	37.2	95.0	2800	4000	97.6	120	<b>HK 6024</b>	<b>BK 6024</b>	
	73	16	24.5	56.8	2800	4000	67.1	93.5	<b>HK 6516</b>	<b>BK 6516</b>	
	73	18	28.2	68.2	2800	4000	76.5	103	<b>HK 6518</b>	<b>BK 6518</b>	
	73	20	31.8	79.5	2800	4000	85.8	112	<b>HK 6520</b>	<b>BK 6520</b>	
<b>70</b> 2.7559	73	24	38.6	102	2800	4000	105	131	<b>HK 6524</b>	<b>BK 6524</b>	
	78	16	25.2	60.8	2600	3800	71.8	102	<b>HK 7016</b>	<b>BK 7016</b>	
	78	18	29.2	73.0	2600	3800	81.8	112	<b>HK 7018</b>	<b>BK 7018</b>	
	78	20	32.8	85.2	2600	3800	91.9	122	<b>HK 7020</b>	<b>BK 7020</b>	
	78	24	40.0	110	2600	3800	112	143	<b>HK 7024</b>	<b>BK 7024</b>	